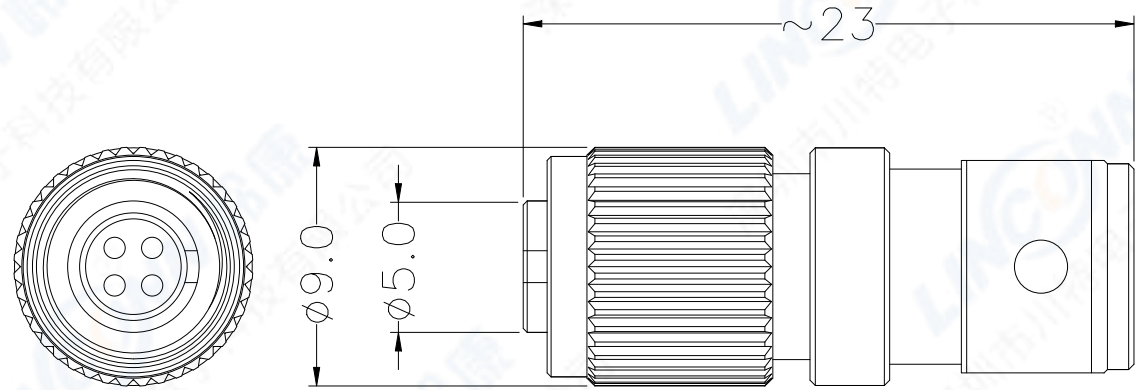
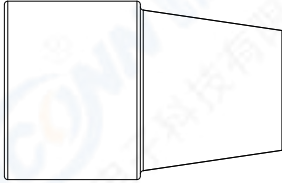


ECN	REV	DESCRIPTION	DATE	APPROVED

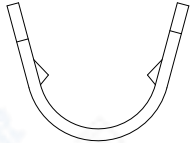


8	护套/Bushing: PTE Black
7	线夹/Collet: 黄铜/Brass
6	螺丝/Screw: 碳钢发黑/Steel black
5	公针/Pin : 黄铜镀金/Brass gold plated
4	绝缘体/Insulator: PA66+GF, Black
3	插头/Plug shell : 黄铜镀镍/Brass Nickel Plated
2	外壳/Body: 黄铜镀镍/Brass Nickel Plated
1	螺纹外壳/Nut shell: 黄铜镀镍/Brass Nickel Plated
ITEM	SPECIFICATION

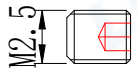
附件/Accessories



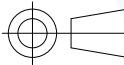

护套/Bushing



线夹/Collet



螺丝/Screw

	SCALE	TOLERANCES ARE:		ANGLES \pm	TITLE:	Plug(Solder type)	
	F	DECIMALES $X \pm 1$ $\cdot X \pm 0.5$				PART NO.	
SHEET	DIMENSION	APPROVALS		DATE	GL90-5TP-4P		*
1 OF 1	MM	APPROVED:			 <i>Linconn Elc Tech Co.,LTD</i>		
DWG NO.	REV.	CHECKED:					
GL90	A0	DRAWN:		pengsen 03/08/2023			