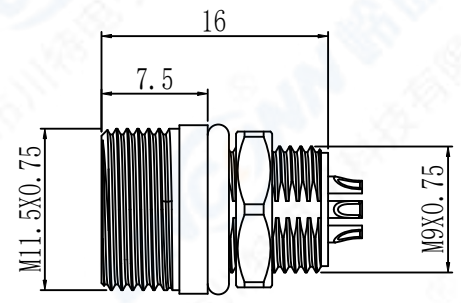
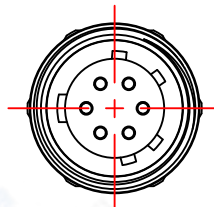
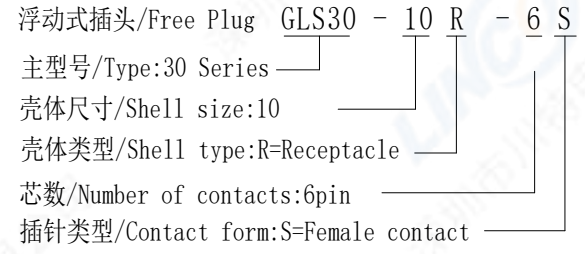


ECN	REV	DESCRIPTION	DATE	APPROVED

1. 芯数/NO. of contacts

芯数/NO. of pins	4	6	7
孔位排列/Pin Number			
适配线缆/Conductor size max.	22AWG	22AWG	22AWG
额定电流/Rated current	1A	1A	1A
额定电压/Rated voltage	100V AC	100V AC	100V AC

2. 编码原则/Part Number



3. 技术特性/Technical Characteristics

- 寿命/Durability: >500 mate/unmate cycles
- Pin接触电阻/ Pin Contact Resistance: ≤10 mΩ
- 绝缘电阻/Insulation Resistance: ≥ 100 MΩ
- 温度等级/Rated Temperature: -25° C, +80° C

5	密封圈/O-RING:Rubber
4	六角螺母/Hexagonal nut: 黄铜镀镍/Brass,Nickel plated
3	母针芯/PIN: 铜合金镀金/Brass, G/F
2	绝缘体/Insulator:PA66+GF
1	外壳/Shell:黄铜镀镍/Brass Nickel Plated
序号ITEM	名称 & 规格/Name & Description

SCALE		TOLERANCES ARE:	
F		DECIMALES	ANGLES
SHEET		X±1	
DIMENSION		· X±0.5	
1 OF 1		MM	
DWG NO.		REV.	
GLS30		A0	
APPROVALS		DATE	
APPROVED:			
CHECKED:			
DRAWN: pengsen		08/12/2022	

TITLE: Receptacle(Solder type)	
PART NO. GLS30-10R-xS	REV. *
Linconn Elc Tech Co.,LTD	