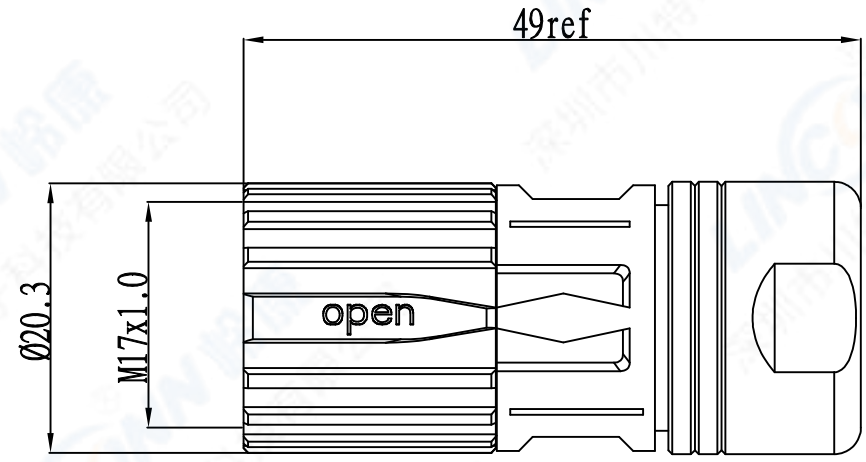
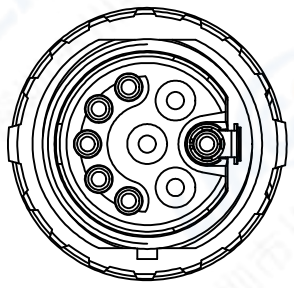
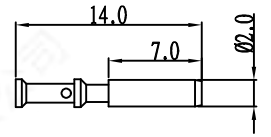
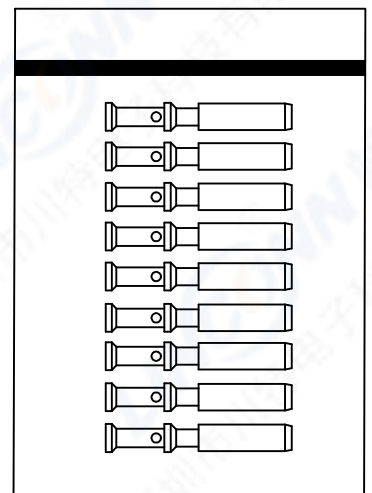


ECN	REV	DESCRIPTION	DATE	APPROVED

Female Pin



9pcs装一个小袋



技术特性/Technical Characteristics

- 1.寿命/Durability: >100 mate/unmate cycles
- 2.Pin接触电阻/ Pin Contact Resistance: ≤10 mΩ
- 3.绝缘电阻/Insulation Resistance: ≥ 100 MΩ
- 4.温度等级/Rated Temperature: -25°C,+80°C
- 5.耐蚀/Corrosion Resistance: Salt spray test,>48h
- 6.防水等级/Waterproof: IP66/IP67

包装要求

- 1.针芯: 9pcs装一个小PE袋
- 2.成品单一包装: 连接器、针芯装一个PE袋
- 3.中性包装材料

5	屏蔽壳/Shield Shell: 锌合金镀镍/Zinc aluminum alloy,nickel plated
4	针芯/PIN: 铜合金镀金/Brass, G/F
3	外壳/Outer Shell: 锌合金镀镍/Zinc aluminum alloy,nickel plated
2	密封圈/O-RING: Rubber
1	绝缘体/Insulator: PA BLACK

	SCALE	TOLERANCES ARE:	
	F	DECIMALES	ANGLES
SHEET	DIMENSION	.X ± 0.2	±
1 OF 1	MM	.XX ± 0.1	
DWG NO.	REV.	APPROVALS	DATE
D271006	A0	APPROVED:	
		CHECKED:	
		CHECKED:	
		DRAWN: pengsen	07/19/2021

TITLE:	M17 8+1Pin female plug
PART NO.	REV. *

LINCONN Linconn Elc Tech Co.,LTD