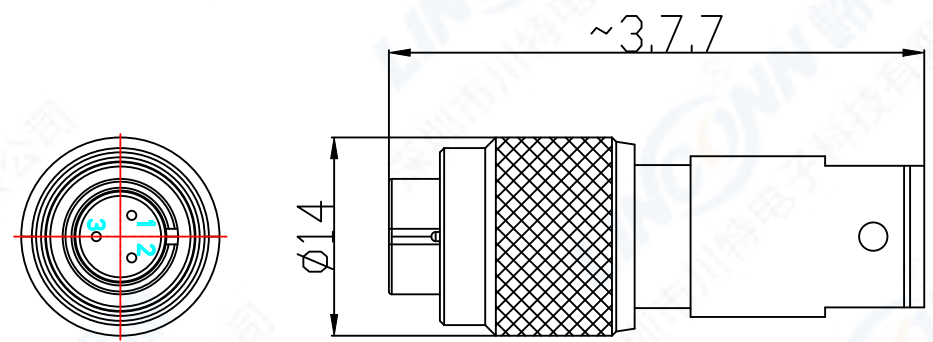
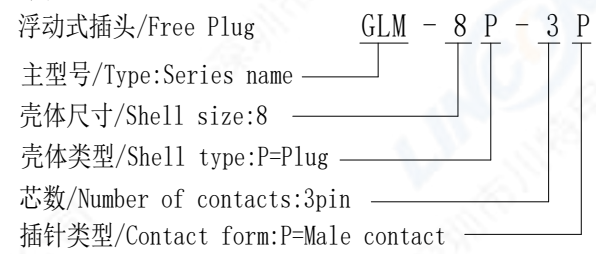


ECN	REV	DESCRIPTION	DATE	APPROVED

1. 芯数/NO. of contacts

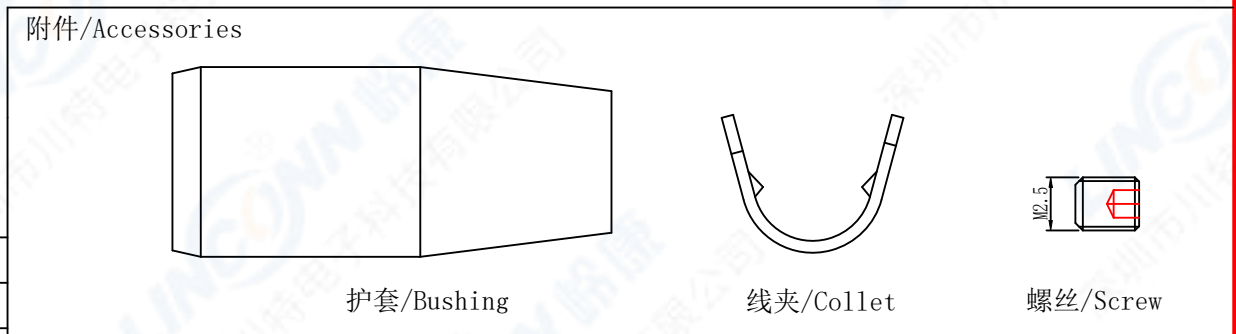
芯数/NO. of pins	3	4	6	8
孔位排列/Pin Number				
适配线缆/Conductor size max.	22AWG	22AWG	22AWG	22AWG
额定电流/Rated current	2A	2A	2A	2A
额定电压/Rated voltage	100V AC	100V AC	100V AC	100V AC

2. 编码原则/Part Number



3. 技术特性/Technical Characteristics

1. 寿命/Durability: >500 mate/unmate cycles
2. Pin接触电阻/ Pin Contact Resistance: ≤10 mΩ
3. 绝缘电阻/Insulation Resistance: ≥ 100 MΩ
4. 温度等级/Rated Temperature: -25° C, +80° C



6	护套/Bushing: PTE Black
5	线夹/Collet: 黄铜/Brass
4	螺丝/Screw: 碳钢发黑/Steel black
3	公针/Pin : 黄铜镀金/Brass gold plated
2	绝缘体/Insulator: PA66+GF
1	外壳/Shell: 黄铜镀镍/Brass Nickel Plated
序号ITEM	名称 & 规格/Name & Description

	SCALE	TOLERANCES ARE:		TITLE: Plug(Solder type)
	F	DECIMALES	ANGLES	
SHEET	DIMENSION	$X \pm 1$ $\cdot X \pm 0.5$		PART NO. GLM-8P-*P
1 OF 1	MM	APPROVALS	DATE	REV. *
DWG NO. GLM	REV. A0	APPROVED:		
		CHECKED:		
		CHECKED:		
		DRAWN: pengsen	08/12/2022	