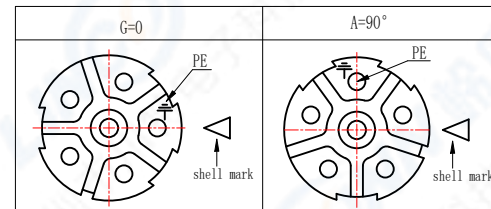


ECN	REV	DESCRIPTION	DATE	APPROVED

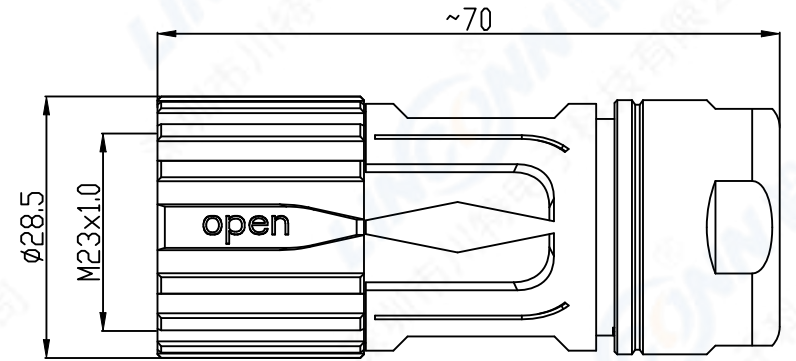
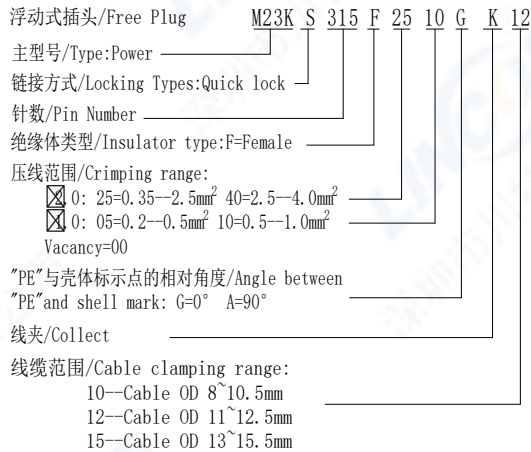
1. 芯数/NO. of contacts

系列/Series	310[4x☒(3+PE)]	510[6x☒(5+PE)]	314[4x☒(3+PE)+4x☒]	315[4x☒(3+PE)+5x☒]	315B[4x☒(3+PE)+5x☒]
孔位排列/Pin Number					
适配线缆/Conductor size max.	2.5mm <sup>2</sup>	2.5mm <sup>2</sup>	2.5mm <sup>2</sup> /1.0mm <sup>2</sup>	2.5mm <sup>2</sup> /1.0mm <sup>2</sup>	2.5mm <sup>2</sup> /1.0mm <sup>2</sup>
导体直径/Pin size	2.0mm	2.0mm	2.0mm/1.0mm	2.0mm/1.0mm	2.0mm/1.0mm
额定电流/Rated current	30A	30A	30A/7A	30A/7A	30A/7A
额定电压/Rated voltage	630V	630V	630V/250V	630V/250V	630V/250V

2. "PE" Pin与壳体标示点的相对角度  
Angle between "PE" Pin and shell mark

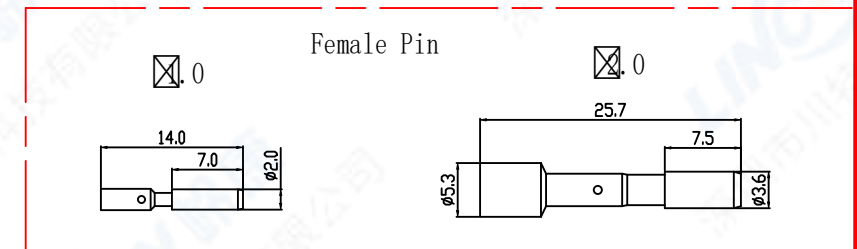


3. 编码原则/Part Number



4. 技术特性/Technical Characteristics

1. 寿命/Durability: >500 mate/unmate cycles
2. Pin接触电阻/ Pin Contact Resistance: ≤10 mΩ
3. 绝缘电阻/Insulation Resistance: ≥ 100 MΩ
4. 温度等级/Rated Temperature: -25° C, +80° C
5. 盐雾/Corrosion Resistance: Salt spray test, >48h
6. 防水等级/Waterproof: IP 66/67 when connected



7	尾螺帽/Collect Nut: 黄铜镀镍/Brass, Nickel plated
6	线夹/Collect: PA66
5	密封圈/Gasket: Rubber
4	外壳/Outer Shell: 锌合金镀镍/ Zinc Alloy, Nickel plated
3	M23 外壳/M23 Outer Shell: 锌合金镀镍/ Zinc Alloy, Nickel plated
2	母针芯/PIN: 铜合金镀金/Brass, G/F
1	绝缘体/Insulator: PA66
序号ITEM	名称 & 规格/Name & Description

SCALE		TOLERANCES ARE:		TITLE:	
F		DECIMALS	ANGLES	M23 power quick lock female plug	
DIMENSION		±	±	PART NO. M23KSxxxFxxxxKxx	
MM		±	±	REV. *	
SHEET	1 OF 1	APPROVALS	DATE	DRAWN: pengsen 06/25/2022	
DWG NO.	REV.	CHECKED:		LINCINN Linconn Elc Tech Co.,LTD	
	A0	CHECKED:			
		DRAWN:			