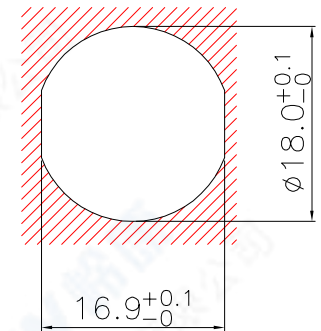


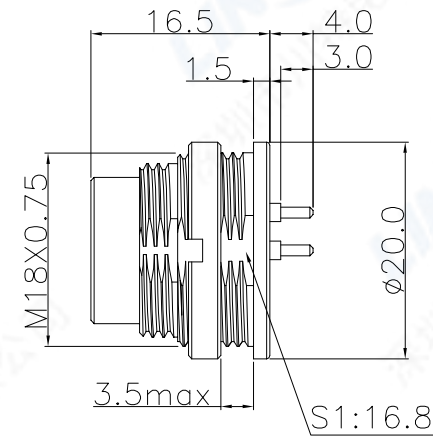
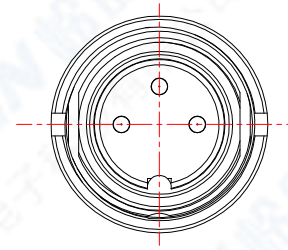
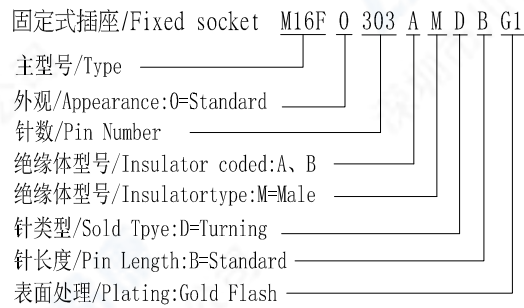
1. 芯数/NO. of contacts

4. 面板开孔/RECOMMENDED PANEL CUT-OUT

系列/Series	303A	304A	305A	306A	307B	308A	312A	314B	319A
孔位排列/Pin Number									
适配线缆/Conductor size	0.75mm ²	0.75mm ²	0.75mm ²	0.75mm ²	0.75mm ²	0.75mm ²	0.25mm ²	0.25mm ²	0.25mm ²
导体直径/Pin size	1.5mm	1.5mm	1.5mm	1.5mm	1.5mm	1.5mm	1.0mm	1.0mm	1.0mm
额定电流/Rated current	7A	6A	6A	5A	5A	5A	3A	3A	3A
额定电压/Rated voltage	250V	250V	250V	250V	125V	60V	60V	60V	60V



2. 编码原则/Part Number



3. 技术特性/Technical Characteristics

- 寿命/Durability: >500 mate/unmate cycles
- Pin接触电阻/ Pin Contact Resistance: ≤10 mΩ
- 绝缘电阻/Insulation Resistance: ≥ 100 MΩ
- 温度等级/Rated Temperature: -25° C, +80° C
- 盐雾/Corrosion Resistance: Salt spray test, >48h
- 防水等级/Waterproof: IP40

4	螺母/Nut: 黄铜镀镍/Brass, Nickel plated	SCALE	TOLERANCES ARE: DECIMALES ANGLES		TITLE: 固定式插座/Fixed socket
3	外壳/Outer Shell: 锌合金镀镍/ Zinc Alloy, Nickel plated	F	APPROVALS		PART NO. M16F0303AMDBG1
2	公针芯/PIN: 黄铜镀金/Brass, G/F	SHEET DIMENSION			
1	绝缘体/Insulator: PA BLACK	1 OF 1	MM	APPROVED: _____ CHECKED: _____ DRAWN: S.peng 07/05/2016	
序号ITEM	名称 & 规格/Name & Description	DWG NO.	REV.		
		M16F	A0		