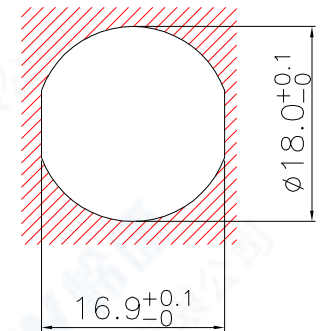


1. 芯数/NO. of contacts

4. 面板开孔/RECOMMENDED PANEL CUT-OUT

系列/Series	303A	304A	305A	306A	307B	308A	312A	314B	319A
孔位排列/Pin Number									
适配线缆/Conductor size	0.75mm <sup>2</sup>	0.75mm <sup>2</sup>	0.75mm <sup>2</sup>	0.75mm <sup>2</sup>	0.75mm <sup>2</sup>	0.75mm <sup>2</sup>	0.25mm <sup>2</sup>	0.25mm <sup>2</sup>	0.25mm <sup>2</sup>
导体直径/Pin size	1.5mm	1.5mm	1.5mm	1.5mm	1.5mm	1.5mm	1.0mm	1.0mm	1.0mm
额定电流/Rated current	7A	6A	6A	5A	5A	5A	3A	3A	3A
额定电压/Rated voltage	250V	250V	250V	250V	125V	60V	60V	60V	60V



2. 编码原则/Part Number

固定式插座/Fixed socket M16E 0 303 A M D B G1

主型号/Type \_\_\_\_\_

外观/Appearance: 0=Standard \_\_\_\_\_

针数/Pin Number \_\_\_\_\_

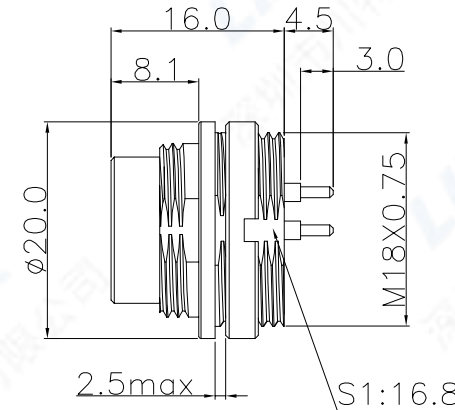
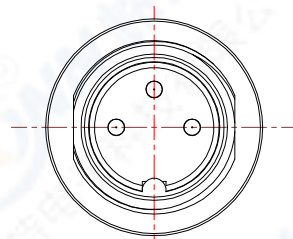
绝缘体型号/Insulator coded: A, B \_\_\_\_\_

绝缘体型号/Insulator type: M=Male \_\_\_\_\_

针类型/Sold Type: D=Turning \_\_\_\_\_

针长度/Pin Length: B=Standard \_\_\_\_\_

表面处理/Plating: Gold Flash \_\_\_\_\_



3. 技术特性/Technical Characteristics

- 寿命/Durability: >500 mate/unmate cycles
- Pin接触电阻/ Pin Contact Resistance: ≤10 mΩ
- 绝缘电阻/Insulation Resistance: ≥ 100 MΩ
- 温度等级/Rated Temperature: -25° C, +80° C
- 盐雾/Corrosion Resistance: Salt spray test, >48h
- 防水等级/Waterproof: IP40

4	螺母/Nut: 黄铜镀镍/Brass, Nickel plated		SCALE	TOLERANCES ARE: DECIMALES ANGLES	TITLE: 固定式插座/Fixed socket
3	外壳/Outer Shell: 锌合金镀镍/ Zinc Alloy, Nickel plated		F		PART NO. M16E0303AMDBG1
2	公针芯/PIN: 黄铜镀金/Brass, G/F		SHEET DIMENSION	APPROVALS	
1	绝缘体/Insulator: PA BLACK		1 OF 1 MM	APPROVED:	DRAWN: S.peng 07/05/2016
序号ITEM	名称 & 规格/Name & Description		DWG NO. REV.	CHECKED:	
			M16E A0	CHECKED:	