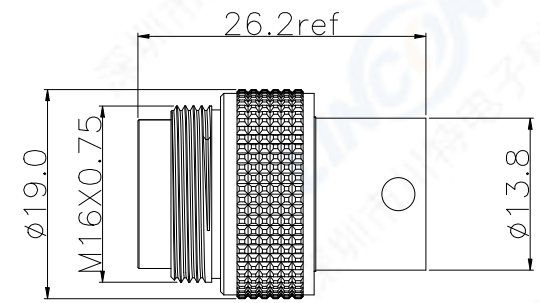
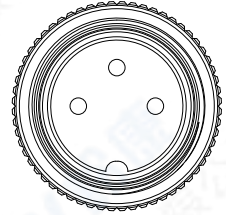
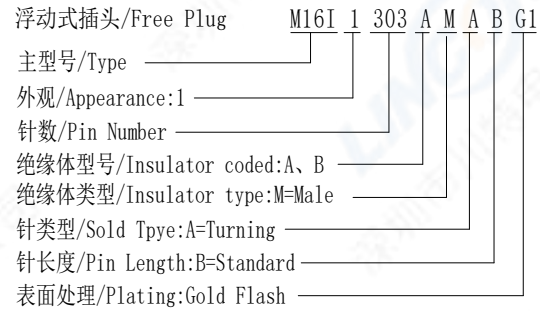


ECN	REV	DESCRIPTION	DATE	APPROVED

### 1. 芯数/NO. of contacts

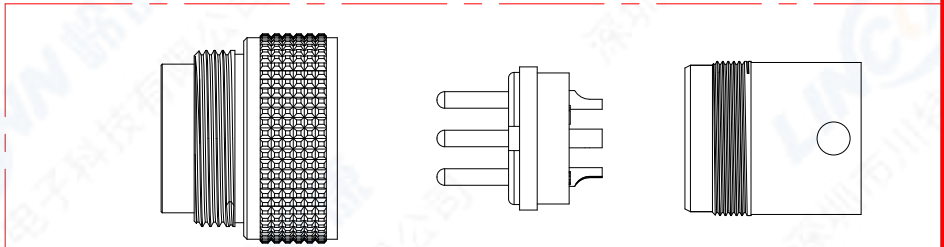
系列/Series	303A	304A	305A	306A	307A	307B	308A	312A	314B	319A
孔位排列/Pin Number										
适配线缆/Conductor size	0.75mm <sup>2</sup>	0.75mm <sup>2</sup>	0.75mm <sup>2</sup>	0.75mm <sup>2</sup>	0.75mm <sup>2</sup>	0.75mm <sup>2</sup>	0.75mm <sup>2</sup>	0.25mm <sup>2</sup>	0.25mm <sup>2</sup>	0.25mm <sup>2</sup>
导体直径/Pin size	1.5mm	1.5mm	1.5mm	1.5mm	1.5mm	1.5mm	1.5mm	1.0mm	1.0mm	1.0mm
额定电流/Rated current	7A	6A	6A	5A	5A	5A	5A	3A	3A	3A
额定电压/Rated voltage	250V	250V	250V	250V	125V	125V	60V	60V	60V	60V

### 2. 编码原则/Part Number



### 3. 技术特性/Technical Characteristics

- 寿命/Durability: >500 mate/unmate cycles
- Pin接触电阻/ Pin Contact Resistance: ≤10 mΩ
- 绝缘电阻/Insulation Resistance: ≥ 100 MΩ
- 温度等级/Rated Temperature: -25° C, +80° C
- 盐雾/Corrosion Resistance: Salt spray test, >48h
- 防水等级/Waterproof: IP67



5	固定环/fixing ring: 黄铜镀镍/Brass,Nickel plated
4	卡环/Snap Ring: SUS
3	M16 外壳/M16 Outer Shell: 黄铜镀镍/Brass,Nickel plated
2	公针芯/PIN: 黄铜镀金/Brass,G/F
1	绝缘体/Insulator: PA BLACK
序号ITEM	名称 & 规格/Name & Description

	SCALE
SHEET	F
1 OF 1	DIMENSION
DWG NO.	MM
M16I	REV.
	A0

TOLERANCES ARE:	
DECIMALES	ANGLES
$x \pm$	$\pm$
$x \pm$	
APPROVALS	DATE
APPROVED:	
CHECKED:	
CHECKED:	
DRAWN:	pengsen 07/05/2016

TITLE: 浮动式插头/Free Plug	
PART NO.	REV.
M16I1303AMABG1	*
<b>LINCONN</b> Linconn Elc Tech Co.,LTD	