

ECN	REV	DESCRIPTION	DATE	APPROVED

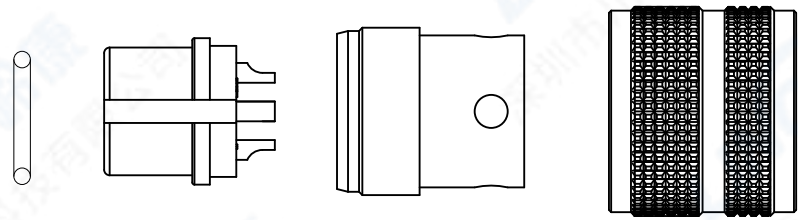
1. 芯数/NO. of contacts

系列/Series	303A	304A	305A	306A	307A	307B	308A	312A	314B	319A
孔位排列/Pin Number										
适配线缆/Conductor size	0.75mm ²	0.75mm ²	0.75mm ²	0.75mm ²	0.75mm ²	0.75mm ²	0.75mm ²	0.25mm ²	0.25mm ²	0.25mm ²
导体直径/Pin size	1.5mm	1.5mm	1.5mm	1.5mm	1.5mm	1.5mm	1.5mm	1.0mm	1.0mm	1.0mm
额定电流/Rated current	7A	6A	6A	5A	5A	5A	5A	3A	3A	3A
额定电压/Rated voltage	250V	250V	250V	250V	125V	125V	60V	60V	60V	60V

2. 编码原则/Part Number

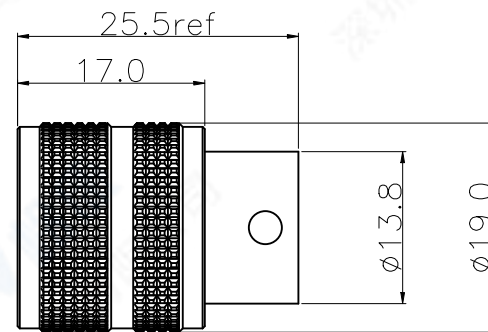
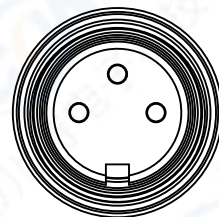
浮动式插头/Free Plug

主型号/Type: M16I 1 303 A F L B G1
 外观/Appearance: 1
 针数/Pin Number: 303
 绝缘体型号/Insulator coded: A, B
 绝缘体类型/Insulator type: F=Female
 针类型/Sold Type: L=Turning
 针长度/Pin Length: B=Standard
 表面处理/Plating: Gold Flash



3. 技术特性/Technical Characteristics

1. 寿命/Durability: >500 mate/unmate cycles
2. Pin接触电阻/ Pin Contact Resistance: ≤10 mΩ
3. 绝缘电阻/Insulation Resistance: ≥ 100 MΩ
4. 温度等级/Rated Temperature: -25° C, +80° C
5. 盐雾/Corrosion Resistance: Salt spray test, >48h
6. 防水等级/Waterproof: IP67



5	固定环/fixing ring: 黄铜镀镍/Brass, Nickel plated
4	卡环/Snap Ring: SUS
3	M16 外壳/M16 Outer Shell: 黄铜镀镍/Brass, Nickel plated
2	母针芯/PIN: 磷铜镀金/Phosphor copper, G/F
1	绝缘体/Insulator: PA BLACK
序号ITEM	名称 & 规格/Name & Description

	SCALE
	F
SHEET	DIMENSION
1 OF 1	MM
DWG NO.	REV.
M161	A0

TOLERANCES ARE:	
DECIMALES	ANGLES
$\begin{matrix} x \pm \\ x \pm \\ x \pm \end{matrix}$	$\begin{matrix} \pm \\ \pm \end{matrix}$
APPROVALS	DATE
APPROVED:	
CHECKED:	
CHECKED:	
DRAWN: pengsen	08/26/2020

TITLE: 浮动式插头/Free Plug	
PART NO. M16I1303AFLBG1	REV. *
Linconn Elc Tech Co.,LTD	