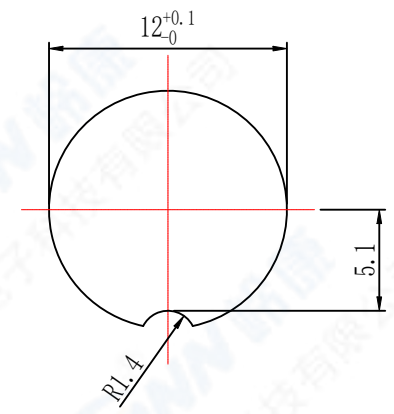


ECN	REV	DESCRIPTION	DATE	APPROVED

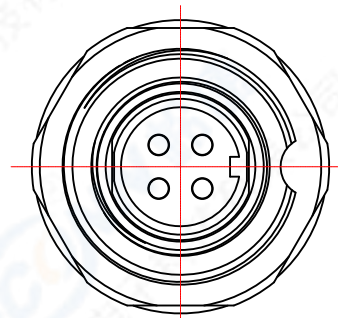
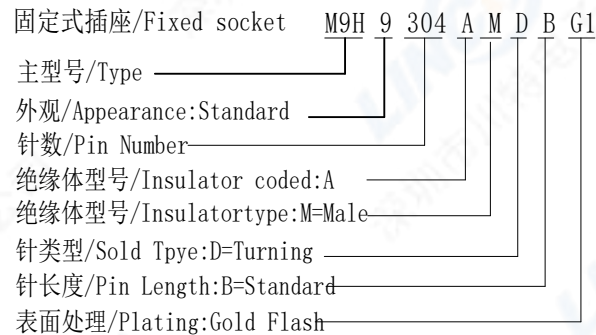
1. 芯数/NO. of contacts

系列/Series	302	303	304	305	307	308
Pin 排列/Pin Assignment PCB 孔位/PCB Layout (Front View)						
导体直径/Pin size	1.0mm	1.0mm	1.0mm	1.0mm	0.5mm	0.5mm
额定电流/Rated current	4A	4A	3A	3A	1A	1A
额定电压/Rated voltage	125V	125V	125V	125V	125V	125V

2. 面板开孔/RECOMMENDED PANEL CUT-OUT

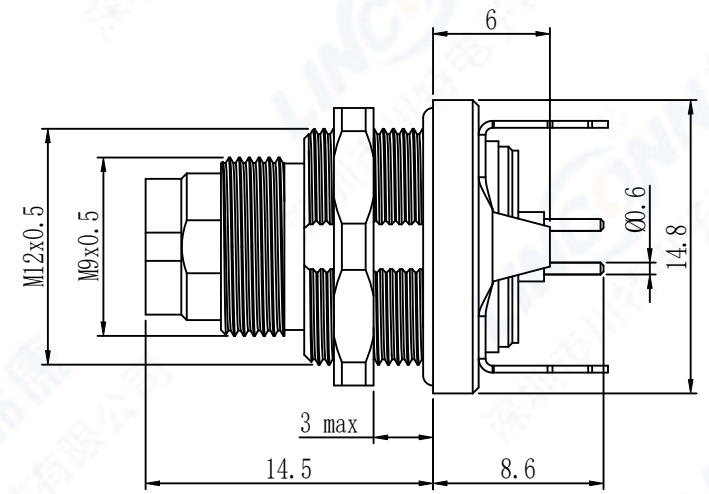


4. 编码原则/Part Number



5. 技术特性/Technical Characteristics

1. 寿命/Durability: >500 mate/unmate cycles
2. Pin接触电阻/ Pin Contact Resistance: ≤10 mΩ
3. 绝缘电阻/Insulation Resistance: ≥ 100 MΩ
4. 温度等级/Rated Temperature: -25° C, 80° C
5. 耐蚀/Corrosion Resistance: Salt spray test, >48h
6. 防水等级/Waterproof: IP67



6	屏蔽壳/Shield Shell: 黄铜镀金/Brass, G/F
5	密封圈/O-RING: Rubber
4	六角螺母/Hexagonal nut: 黄铜镀镍/Brass, Nickel plated
3	外壳/Outer Shell: 黄铜镀镍/Brass, Nickel plated
2	公针芯/PIN: 黄铜镀金/Brass, G/F
1	绝缘体/Insulator: PA BLACK
序号 ITEM	名称 & 规格/Name & Description

SCALE		TOLERANCES ARE:		TITLE:	
DECIMALES	ANGLES	DECIMALES	ANGLES	固定式插座/Fixed socket	
F	±	X ± 1	±	PART NO.	REV.
SHEET	DIMENSION	APPROVALS	DATE	M9H9304AMDBG1	*
1 OF 1	MM	APPROVED:			
DWG NO.	REV.	CHECKED:			
M9H	A0	CHECKED:			
		DRAWN:	pengsen	06/08/2020	

