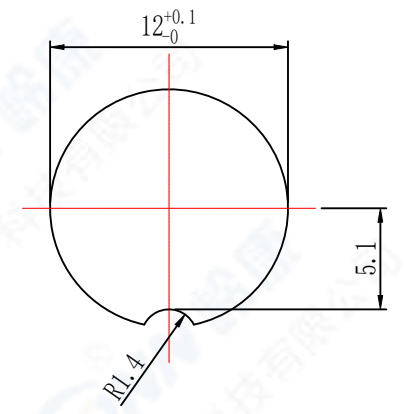


ECN	REV	DESCRIPTION	DATE	APPROVED

1. 芯数/NO. of contacts

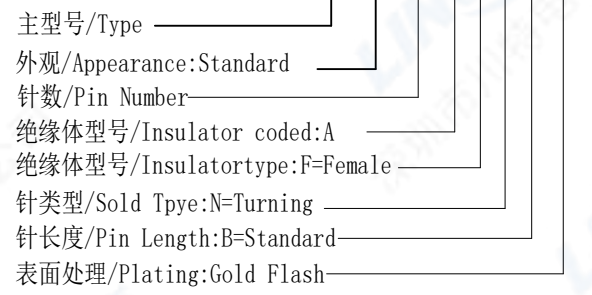
系列/Series	302	303	304	305	307	308
Pin 排列/Pin Assignment PCB 孔位/PCB Layout (Front View)						
导体直径/Pin size	1.0mm	1.0mm	1.0mm	1.0mm	0.5mm	0.5mm
额定电流/Rated current	4A	4A	3A	3A	1A	1A
额定电压/Rated voltage	125V	125V	125V	125V	125V	125V

2. 面板开孔/RECOMMENDED PANEL CUT-OUT



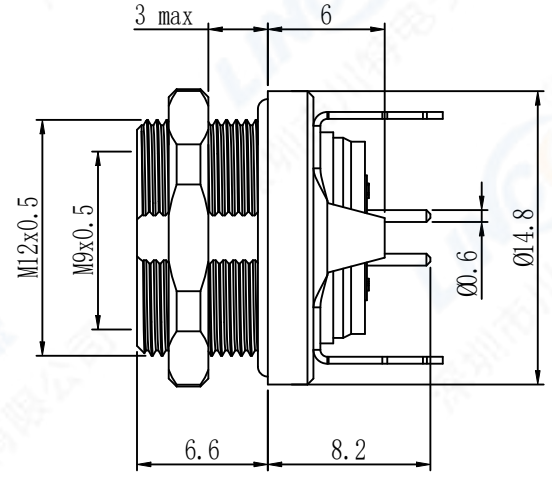
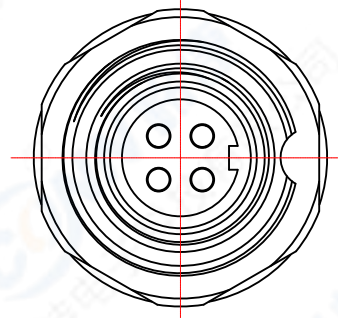
3. 编码原则/Part Number

固定式插座/Fixed socket M9H 9 304 A F N B G1

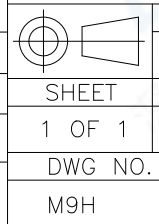


4. 技术特性/Technical Characteristics

- 寿命/Durability: >500 mate/unmate cycles
- Pin接触电阻/ Pin Contact Resistance: ≤10 mΩ
- 绝缘电阻/Insulation Resistance: ≥ 100 MΩ
- 温度等级/Rated Temperature: -25° C, 80° C
- 耐蚀/Corrosion Resistance: Salt spray test, >48h
- 防水等级/Waterproof: IP67



6	屏蔽壳/Shield Shell: 黄铜镀金/Brass,G/F
5	六角螺母/Hexagonal nut: 黄铜镀镍/Brass,Nickel plated
4	母针芯/PIN: 磷铜镀金/Phosphor copper, G/F
3	外壳/Outer Shell: 黄铜镀镍/Brass,Nickel plated
2	密封圈/O-RING: Rubber
1	绝缘体/Insulator: PA BLACK
序号 ITEM	名称 & 规格/Name & Description



SCALE		TOLERANCES ARE:	
F		DECIMALES	ANGLES
SHEET	DIMENSION	x ± 1	±
1 OF 1	MM	x ± 0.5	
DWG NO.	REV.	APPROVALS	DATE
M9H	A0	APPROVED:	
		CHECKED:	
		CHECKED:	
		DRAWN: pengsen	06/08/2020

TITLE: 固定式插座/Fixed socket	
PART NO.	REV.
M9H9304AFNBG1	*
LINCONN Linconn Elc Tech Co.,LTD	