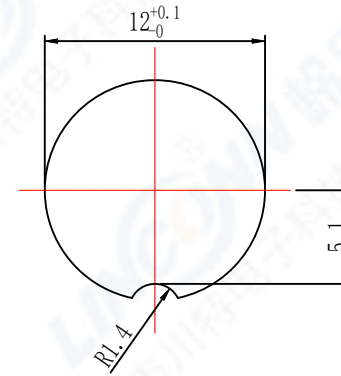


ECN	REV	DESCRIPTION	DATE	APPROVED

1. 芯数/NO. of contacts

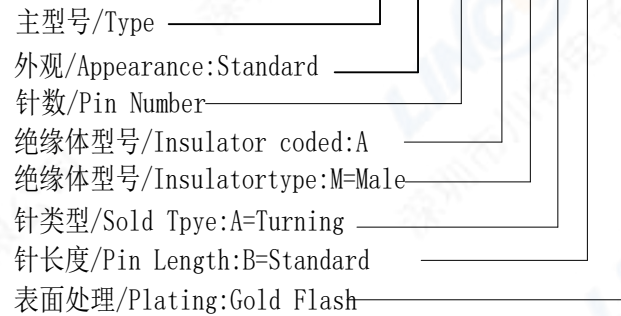
系列/Series	302	303	304	305	307	308
孔位排列/Pin Number						
适配线缆/Conductor size	24AWG	24AWG	24AWG	24AWG	26AWG	26AWG
导体直径/Pin size	1.0mm	1.0mm	1.0mm	1.0mm	0.5mm	0.5mm
额定电流/Rated current	4A	4A	3A	3A	1A	1A
额定电压/Rated voltage	125V	125V	125V	125V	125V	125V

2. 面板开孔/RECOMMENDED PANEL CUT-OUT



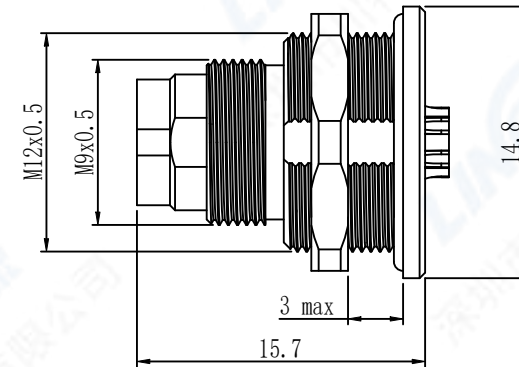
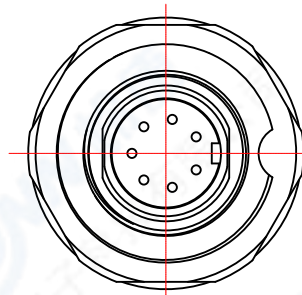
3. 编码原则/Part Number

固定式插座/Fixed socket **M9F 9 307 A M A B G1**



4. 技术特性/Technical Characteristics

- 寿命/Durability: >500 mate/unmate cycles
- Pin接触电阻/ Pin Contact Resistance: ≤10 mΩ
- 绝缘电阻/Insulation Resistance: ≥ 100 MΩ
- 温度等级/Rated Temperature: -25° C, 80° C
- 耐腐蚀/Corrosion Resistance: Salt spray test, >48h
- 防水等级/Waterproof: IP67



5	密封圈/O-RING: Rubber
4	六角螺母/Hexagonal nut: 黄铜镀镍/Brass, Nickel plated
3	外壳/Outer Shell: 黄铜镀镍/Brass, Nickel plated
2	公针芯/PIN: 黄铜镀金/Brass ,G/F
1	绝缘体/Insulator: PA BLACK
序号ITEM	名称 & 规格/Name & Description

SCALE		TOLERANCES ARE:		TITLE:	
F		DECIMALES	ANGLES	固定式插座/Fixed socket	
DIMENSION		.X ± 0.2		PART NO.	REV.
MM		.XX ± 0.1		M9F9307AMABG1	*
SHEET	1 OF 1	APPROVALS	DATE	DRAWN: pengsen 06/08/2020	
DWG NO.	M9F	APPROVED:		LINCINN Linconn Elc Tech Co.,LTD	
REV.	A0	CHECKED:			
		CHECKED:			