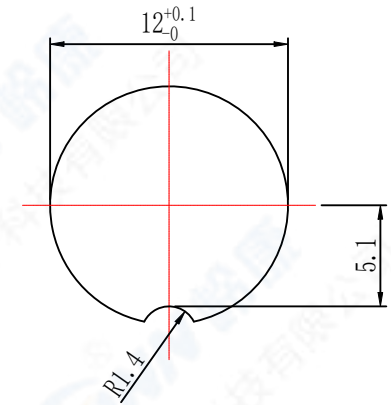


1. 芯数/NO. of contacts

系列/Series	302	303	304	305	307	308
Pin 排列/Pin Assignment PCB 孔位/PCB Layout (Front View)						
导体直径/Pin size	1.0mm	1.0mm	1.0mm	1.0mm	0.5mm	0.5mm
额定电流/Rated current	4A	4A	3A	3A	1A	1A
额定电压/Rated voltage	125V	125V	125V	125V	125V	125V

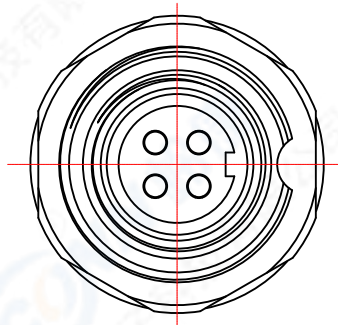
2. 面板开孔/RECOMMENDED PANEL CUT-OUT



3. 编码原则/Part Number

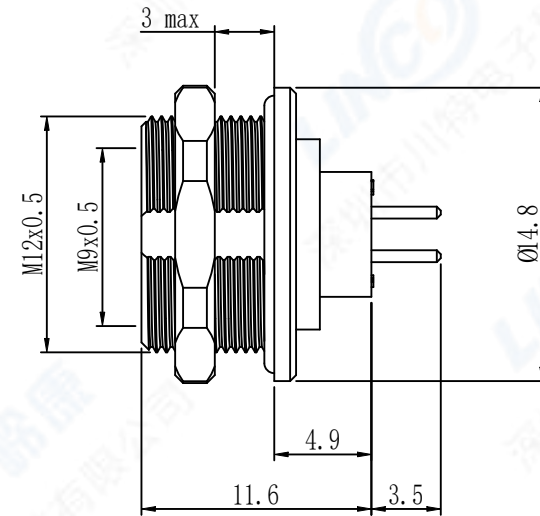
固定式插座/Fixed socket M9F 9 304 A F N B G1

主型号/Type ———— M9F 9 304 A F N B G1
 外观/Appearance: Standard ————
 针数/Pin Number ————
 绝缘体型号/Insulator coded: A ————
 绝缘体型号/Insulator type: F=Female ————
 针类型/Sold Type: N=Turning ————
 针长度/Pin Length: B=Standard ————
 表面处理/Plating: Gold Flash ————



4. 技术特性/Technical Characteristics

1. 寿命/Durability: >500 mate/unmate cycles
2. Pin接触电阻/ Pin Contact Resistance: ≤10 mΩ
3. 绝缘电阻/Insulation Resistance: ≥ 100 MΩ
4. 温度等级/Rated Temperature: -25° C, 80° C
5. 耐腐蚀/Corrosion Resistance: Salt spray test, >48h
6. 防水等级/Waterproof: IP67



5	六角螺母/Hexagonal nut: 黄铜镀镍/Brass, Nickel plated
4	母针芯/PIN: 磷铜镀金/Phosphor copper, G/F
3	外壳/Outer Shell: 黄铜镀镍/Brass, Nickel plated
2	密封圈/O-RING: Rubber
1	绝缘体/Insulator: PA BLACK
序号 ITEM	名称 & 规格/Name & Description

	SCALE	TOLERANCES ARE: DECIMALES ANGLES		TITLE: 固定式插座/Fixed socket	
	F	X ± 1 .X ± 0.5		PART NO. M9F9304AFNBG1	
SHEET	DIMENSION	APPROVALS	DATE	REV. *	
1 OF 1	MM	APPROVED:			
DWG NO.	REV.	CHECKED:			
M9F	A0	CHECKED:			
		DRAWN: pengsen	06/08/2020	LINCINN Linconn Elc Tech Co.,LTD	