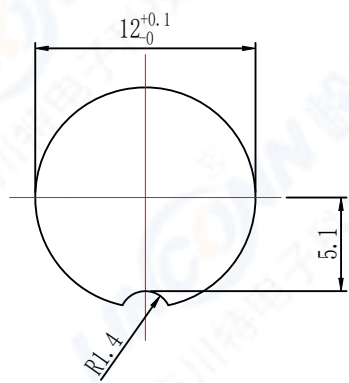


ECN	REV	DESCRIPTION	DATE	APPROVED

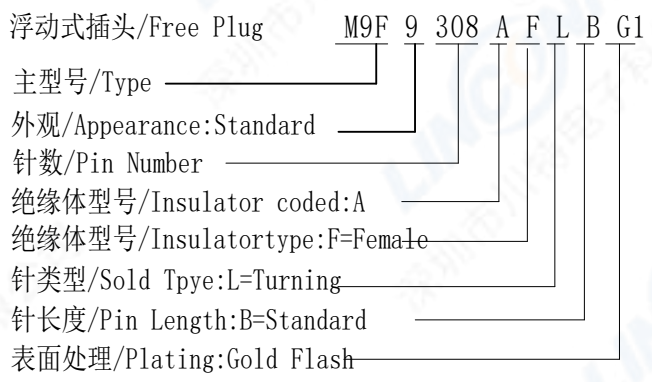
1. 芯数/NO. of contacts

系列/Series	302	303	304	305	307	308
孔位排列/Pin Number						
适配线缆/Conductor size	24AWG	24AWG	24AWG	24AWG	26AWG	26AWG
导体直径/Pin size	1.0mm	1.0mm	1.0mm	1.0mm	0.5mm	0.5mm
额定电流/Rated current	4A	4A	3A	3A	1A	1A
额定电压/Rated voltage	125V	125V	125V	125V	125V	125V

2. 面板开孔/RECOMMENDED PANEL CUT-OUT

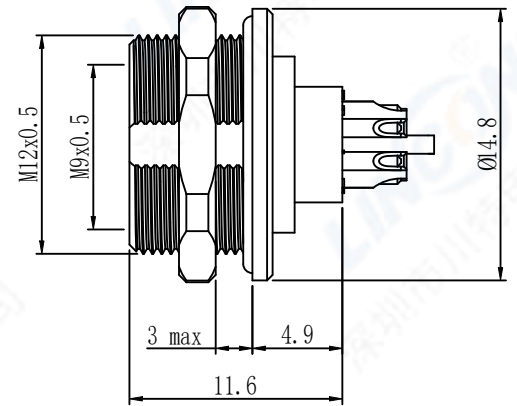
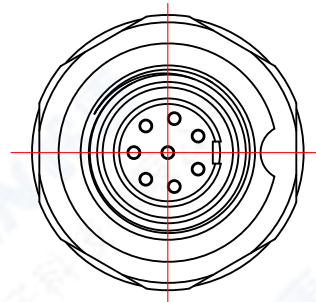


3. 编码原则/Part Number



4. 技术特性/Technical Characteristics

1. 寿命/Durability: >500 mate/unmate cycles
2. Pin接触电阻/ Pin Contact Resistance: ≤10 mΩ
3. 绝缘电阻/Insulation Resistance: ≥ 100 MΩ
4. 温度等级/Rated Temperature: -25° C, 80° C
5. 耐腐蚀/Corrosion Resistance: Salt spray test, >48h
6. 防水等级/Waterproof: IP67



5	六角螺母/Hexagonal nut: 黄铜镀镍/Brass, Nickel plated
4	母针芯/PIN: 磷铜镀金/Phosphor copper, G/F
3	外壳/Outer Shell: 黄铜镀镍/Brass, Nickel plated
2	密封圈/O-RING: Rubber
1	绝缘体/Insulator: PA BLACK
序号ITEM	名称 & 规格/Name & Description

SHEET	DIMENSION	TOLERANCES ARE:	
		DECIMALES	ANGLES
1 OF 1	MM	.X ± 0.2	±
DWG NO.	REV.	APPROVALS	
M9F	A0	APPROVED:	DATE
		CHECKED:	
		CHECKED:	
		DRAWN: pengsen	06/08/2020

TITLE: 固定式插座/Fixed socket	
PART NO. M9F9308AFLBG1	REV. *

LINCONN Linconn Elc Tech Co.,LTD