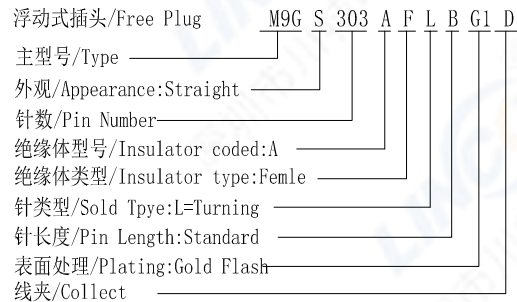


ECN	REV	DESCRIPTION	DATE	APPROVED

1. 芯数/NO. of contacts

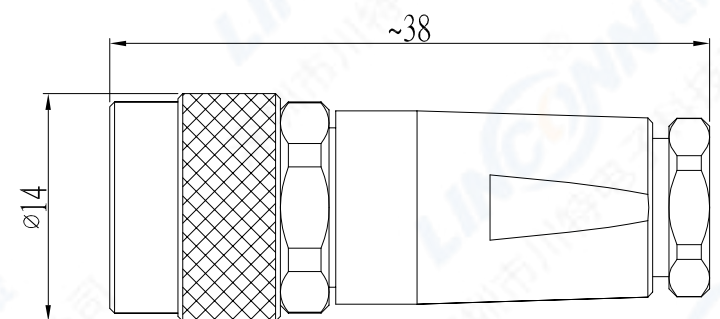
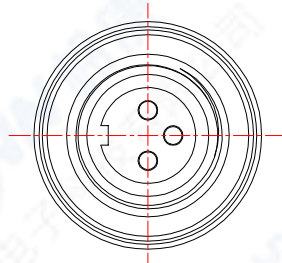
系列/Series	302	303	304	305	307	308
孔位排列/Pin Number						
适配线缆/Conductor size	24AWG	24AWG	24AWG	24AWG	26AWG	26AWG
导体直径/Pin size	1.0mm	1.0mm	1.0mm	1.0mm	0.5mm	0.5mm
额定电流/Rated current	4A	4A	3A	3A	1A	1A
额定电压/Rated voltage	125V	125V	125V	125V	125V	125V

3. 编码原则/Part Number



4. 技术特性/Technical Characteristics

1. 寿命/Durability: >500 mate/unmate cycles
2. Pin接触电阻/ Pin Contact Resistance: ≤10 mΩ
3. 绝缘电阻/Insulation Resistance: ≥ 100 MΩ
4. 温度等级/Rated Temperature: -25° C, +80° C
5. 盐雾/Corrosion Resistance: Salt spray test, >48h
6. 防水等级/Waterproof: IP67



8	尾螺帽/Collect Nut: 黄铜镀镍/Brass, Nickel plated
7	线夹/Collect: PA BLACK
6	外壳/Outer Shell: 黄铜镀镍/Brass, Nickel plated
5	六角固定座/Hexagonal Screw: 黄铜镀镍/Brass, Nickel plated
4	密封圈/O-RING: Rubber
3	M9外壳/M9 Outer Shell: 黄铜镀镍/Brass, Nickel plated
2	绝缘体/Insulator: PA BLACK
1	母针芯/PIN: 磷铜镀金/Phosphor copper, G/F

	SCALE	TOLERANCES ARE: DECIMALES ANGLES $\begin{matrix} x_{\pm} \\ \cdot \\ x_{\pm} \end{matrix}$	
	F		
SHEET	DIMENSION	APPROVALS	DATE
1 OF 1	MM	APPROVED:	
DWG NO.	REV.	CHECKED:	
M9G	A0	CHECKED:	
		DRAWN: pengsen	06/08/2020

TITLE:	浮动式插头/Free Plug	
PART NO.	M9GS303AFLBG1D	REV. *

Linconn Elc Tech Co.,LTD

序号 ITEM	名称 & 规格/Name & Description
---------	----------------------------