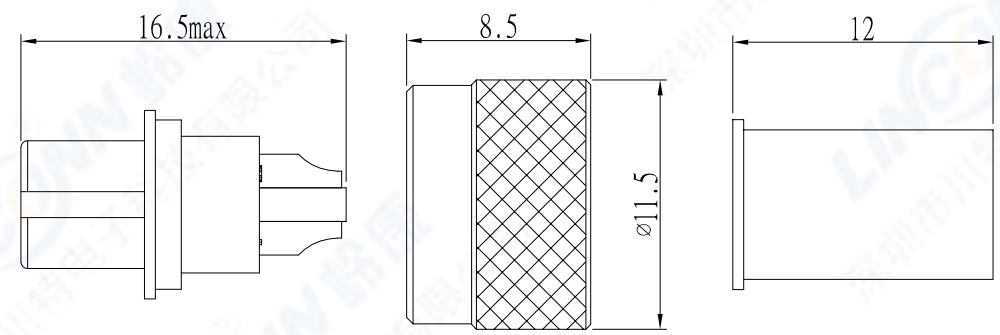
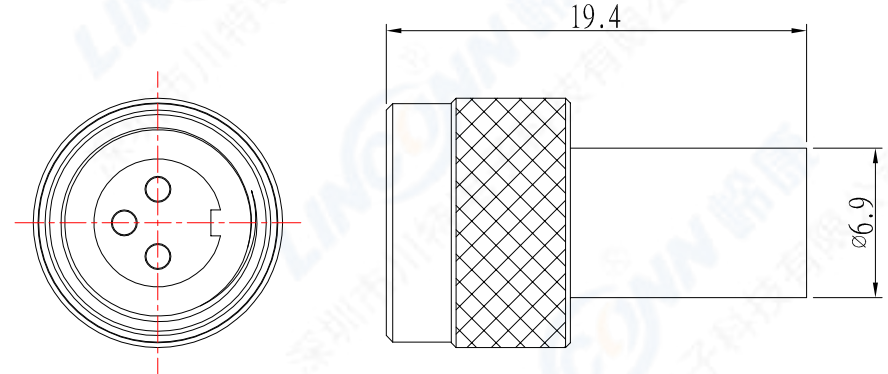
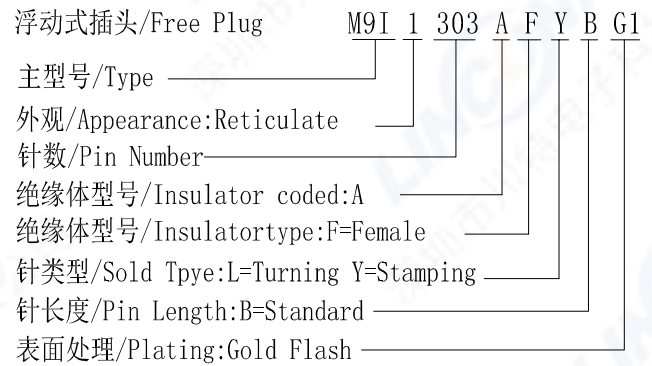


ECN	REV	DESCRIPTION	DATE	APPROVED

1. 芯数/NO. of contacts

系列/Series	302	303	304	305	307	308
孔位排列/Pin Number						
适配线缆/Conductor size	24AWG	24AWG	24AWG	24AWG	26AWG	26AWG
导体直径/Pin size	1.0mm	1.0mm	1.0mm	1.0mm	0.5mm	0.5mm
额定电流/Rated current	4A	4A	3A	3A	1A	1A
额定电压/Rated voltage	125V	125V	125V	125V	125V	125V

2. 编码原则/Part Number



3. 技术特性/Technical Characteristics

1. 寿命/Durability: >500 mate/unmate cycles
2. Pin接触电阻/ Pin Contact Resistance : ≤10 mΩ
3. 绝缘电阻/Insulation Resistance : ≥ 100 MΩ
4. 温度等级/Rated Temperature: -25°C,+80°C
5. 盐雾/Corrosion Resistance: Salt spray test,>48h
6. 防水等级/Waterproof: IP67

5	屏蔽壳/Shield Shell: 黄铜镀镍/Brass, Nickel plated
4	母针芯/PIN: 磷铜镀金/Phosphor copper, G/F
3	外壳/Outer Shell: 黄铜镀镍/Brass, Nickel plated
2	密封圈/O-RING: Rubber
1	绝缘体/Insulator: PA BLACK
序号ITEM	名称 & 规格/Name & Description

SHEET		DIMENSION		APPROVALS		DATE	
1	OF 1	MM		APPROVED:			
DWG NO.		REV.		CHECKED:			
M9I		A0		CHECKED:			
				DRAWN:	pengsen	06/08/2020	

TITLE: 浮动式插头/Free Plug	
PART NO. M9I1303AFYBG1	REV. *
LINCONN Linconn Elc Tech Co.,LTD	