

ECN	REV	DESCRIPTION	DATE	APPROVED

1. 芯数/NO. of contacts

系列/Series	304	305	308
Pin 排列/Pin Assignment PCB 孔位/PCB Layout (Front View)			
导体直径/Pin size	1.0mm	1.0mm	0.8mm
额定电压/Rated voltage	250V	60V	30V
额定电流/Rated current	4A	4A	2A

2. 绝缘体型号/Insulator Coded

Coded	A	D
型号		

“▼” Insulator key

3. 编码原则/Part Number

固定式插座/Fixed socket M12H 9 304 D F N O S

主型号/Type ————— M12H 9

面板孔/Panel Cut-Out: M12x1.0 ————— 9

针数/Pin Number: 4Pin ————— 304

绝缘体型号/Insulator coded: A, B, D ————— D

绝缘体类型/Insulator type: F=Female ————— F

针类型/Sold Tpye: PCB L180° ————— N

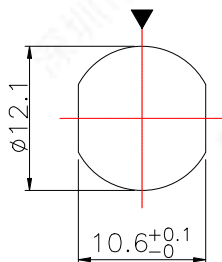
外壳/ACCESSORIES: S=Shell/带外壳 0=NO/不带外壳 ————— O

屏蔽/SHIELDED: S=Shield/带屏蔽 0=NO/不带屏蔽 ————— S

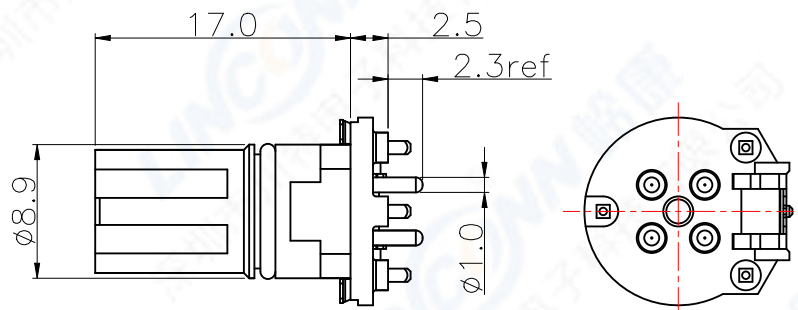
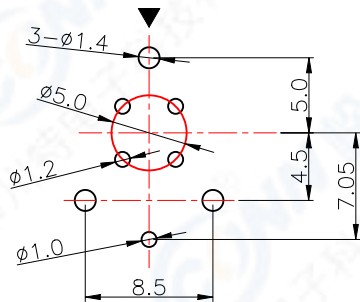
4. 技术特性/Technical Characteristics

1. 寿命/Durability: >100 mate/unmate cycles
2. Pin接触电阻/ Pin Contact Resistance: ≤10 mΩ
3. 绝缘电阻/Insulation Resistance: ≥ 100 MΩ
4. 温度等级/Rated Temperature: -25° C, +85° C
5. 蚀佛/Corrosion Resistance: Salt spray test, >48h
6. 防水等级/Waterproof: IP67

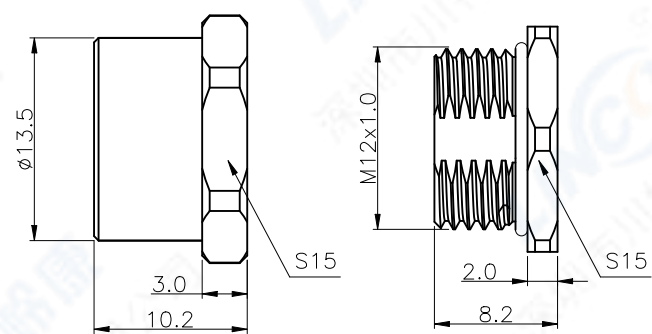
面板开孔
RECOMMENDED PANEL CUT-OUT



PCB 开孔尺寸/PCB LAYOUT



ACCESSORIES Panel mounting base(optional)



4	外壳/Outer Shell: 黄铜镀镍/Brass, Nickel plated
3	针芯/PIN: 铜合金镀金/Copper, gold plating 5U'
2	密封圈/O-RING: Rubber
1	绝缘体/Insulator: PA BLACK
序号ITEM	名称 & 规格/Name & Description

	SCALE	TOLERANCES ARE:		TITLE: M12 female socket	
	F	DECIMALES	ANGLES	PART NO. M12H93xxxFNOS	
SHEET	DIMENSION	X ± 1	±	REV. *	
1 OF 1	MM	.X ± 0.5			
DWG NO.	REV.	APPROVALS		DATE	
	A0	APPROVED:			
		CHECKED:			
		DRAWN: pengsen		09/04/2021	