

| ECN | REV | DESCRIPTION | DATE | APPROVED |
|-----|-----|-------------|------|----------|
|     |     |             |      |          |

### 1. 芯数/NO. of contacts

| 系列/Series  | 304   | 305   | 308   |
|--|-------|-------|-------|
| Pin 排列/Pin Assignment<br>PCB 孔位/PCB Layout<br>(Front View) |       |       |       |
| 导体直径/Pin size  | 1.0mm | 1.0mm | 0.8mm |
| 额定电压/Rated voltage   | 250V  | 60V   | 30V   |
| 额定电流/Rated current   | 4A    | 4A    | 2A    |

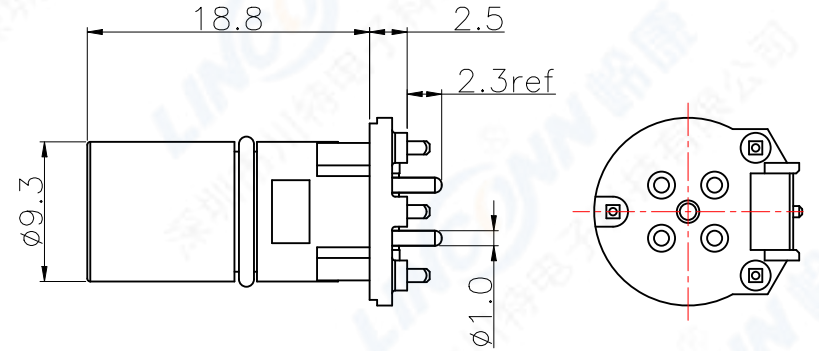
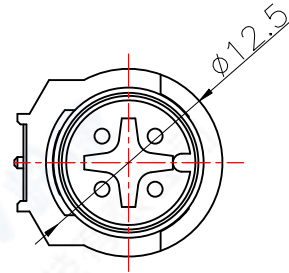
### 2. 绝缘体型号/Insulator Coded

| Coded | A | D |
|-------|---|---|
| 型号    |   |   |

“▼” Insulator key

### 3. 编码原则/Part Number

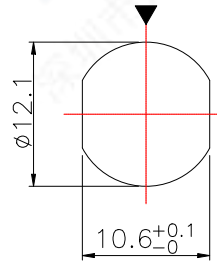
固定式插座/Fixed socket M12H 9 304 A M D O S  
 主型号/Type \_\_\_\_\_  
 面板孔/Panel Cut-Out: M12x1.0 \_\_\_\_\_  
 针数/Pin Number: 4Pin \_\_\_\_\_  
 绝缘体型号/Insulator coded: A, B, D \_\_\_\_\_  
 绝缘体类型/Insulator type: M=Male \_\_\_\_\_  
 针类型/Sold Tpye: PCB L180° \_\_\_\_\_  
 外壳/ACCESSORIES: S=Shell/带外壳 0=NO/不带外壳 \_\_\_\_\_  
 屏蔽/SHIELDED: S=Shield/带屏蔽 0=NO/不带屏蔽 \_\_\_\_\_



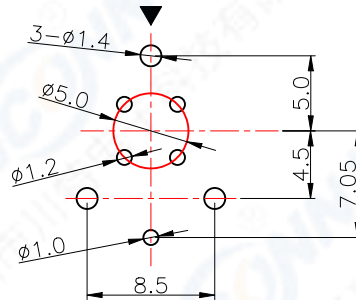
### 4. 技术特性/Technical Characteristics

1. 寿命/Durability: >100 mate/unmate cycles
2. Pin接触电阻/ Pin Contact Resistance: ≤10 mΩ
3. 绝缘电阻/Insulation Resistance: ≥ 100 MΩ
4. 温度等级/Rated Temperature: -25° C, +85° C
5. 盐雾/Corrosion Resistance: Salt spray test, >48h
6. 防水等级/Waterproof: IP67

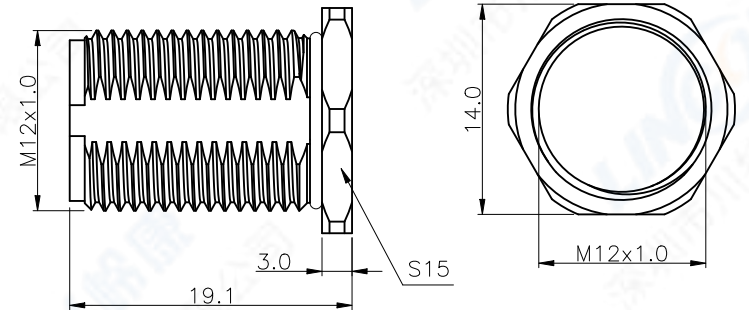
面板开孔  
RECOMMENDED PANEL CUT-OUT



PCB 开孔尺寸/PCB LAYOUT



ACCESSORIES Panel mounting base(optional)



5 六角螺母/Hexagonal nut: 黄铜镀镍/Brass, Nickel plated

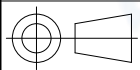
4 外壳/Outer Shell: 黄铜镀镍/Brass, Nickel plated

3 针芯/PIN: 铜合金镀金/Copper, gold plating 5U'

2 密封圈/O-RING: Rubber

1 绝缘体/Insulator: PA BLACK

序号ITEM 名称 & 规格/Name & Description



SCALE

F

TOLERANCES ARE:  
DECIMALES  
X ± 1  
.X ± 0.5

ANGLES

TITLE: M12 male socket

SHEET DIMENSION

1 OF 1 MM

DWG NO. REV.

AO

APPROVALS

APPROVED:

CHECKED:

CHECKED:

DRAWN: pengsen

DATE

09/04/2021

PART NO. M12H93xxxMDOS

REV.

\*

**LINCONN** Linconn Elc Tech Co.,LTD