

ECN	REV	DESCRIPTION	DATE	APPROVED

1. 芯数/NO. of contacts

系列/Series	304A	305A	304D	305D
Pin 排列/ Pin Assignment				
导体直径/Pin size	1.0mm	1.0mm	1.0mm	1.0mm
额定电压/Rated voltage	250V	60V	250V	60V
额定电流/Rated current	4A	4A	4A	4A

2. 编码原则/Part Number

固定式插座/Fixed socket **M12H 4 305 A M W B G1 (S)**

主型号/Type _____

面板孔/Panel Cut-Out: M12x1.0 _____

针数/Pin Number:5Pin _____

绝缘体型号/Insulator coded:A _____

绝缘体类型/Insulator type:M=Male _____

针类型/Sold Tpye:PCB L90° _____

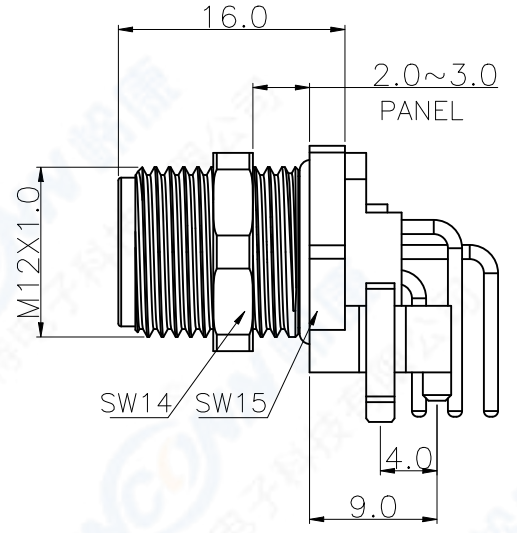
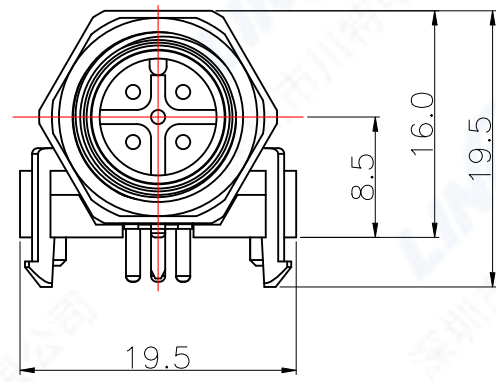
针长度/Pin Length:B=Standard _____

表面处理/Plating:Gold Flash _____

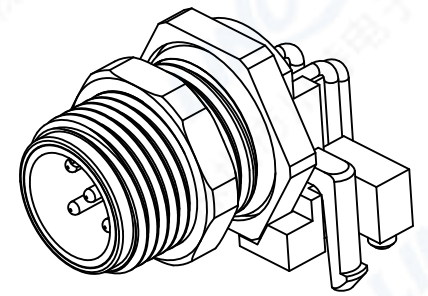
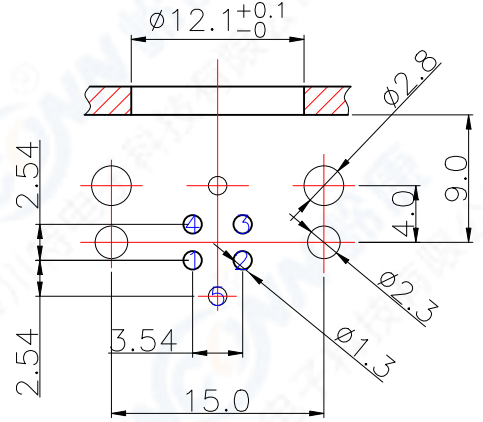
屏蔽/SHIELDED:S=Shield/带屏蔽 _____

3. 技术特性/Technical Characteristics

- 寿命/Durability: >100 mate/unmate cycles
- Pin接触电阻/ Pin Contact Resistance: ≤10 mΩ
- 绝缘电阻/Insulation Resistance: ≥ 100 MΩ
- 温度等级/Rated Temperature: -25° C,+85° C
- 盐雾/Corrosion Resistance: Salt spray test,>48h
- 防水等级/Waterproof: IP67



面板开孔/RECOMMENDED PANEL CUT-OUT
PCB 孔位/PCB Layout (Front View)



4	外壳/Outer Shell: 黄铜镀镍/Brass,Nickel plated
3	针芯/PIN: 铜合金镀金/Copper,Plating with flash gold
2	密封圈/O-RING: Rubber
1	绝缘体/Insulator: PA BLACK
序号ITEM	名称 & 规格/Name & Description

SHEET	DIMENSION	TOLERANCES ARE:	
		DECIMALES	ANGLES
1 OF 1	MM	X ± 1.0	±
DWG NO.	REV.	APPROVALS	
	A0	APPROVED:	DATE
		CHECKED:	
		CHECKED:	
		DRAWN: pengsen	06/04/2017

TITLE: MALE SOCKET M12 ANGLED	
PART NO. M12H43***MWBG1(S)	REV. *
Linconn Elc Tech Co.,LTD	