

ECN	REV	DESCRIPTION	DATE	APPROVED

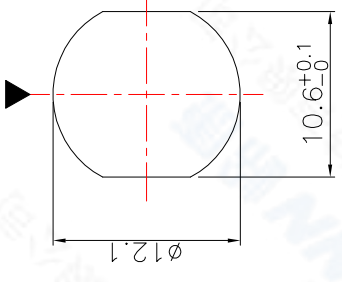
1. 芯数/NO. of contacts

系列/Series	303	304	305	306	308	312	317
Pin 排列/Pin Assignment PCB 孔位/PCB Layout (Front View)							
导体直径/Pin size	1.0mm	1.0mm	1.0mm	0.8mm	0.8mm	0.6mm	0.6mm
额定电压/Rated voltage	250V	250V	60V	30V	30V	30V	30V
额定电流/Rated current	4A	4A	4A	2A	2A	1.0A	1.0A

2. 绝缘体型号/Insulator Coded

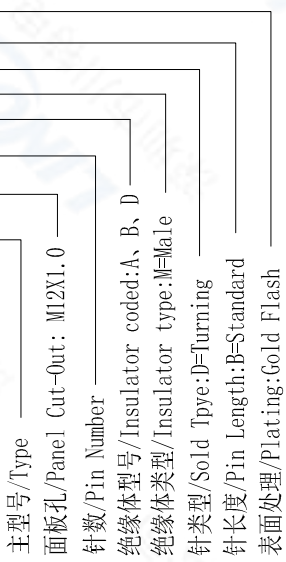
Coded	A	B	D
型号			

3. 面板开孔/RECOMMENDED PANEL CUT-OUT



4. 编码原则/Part Number

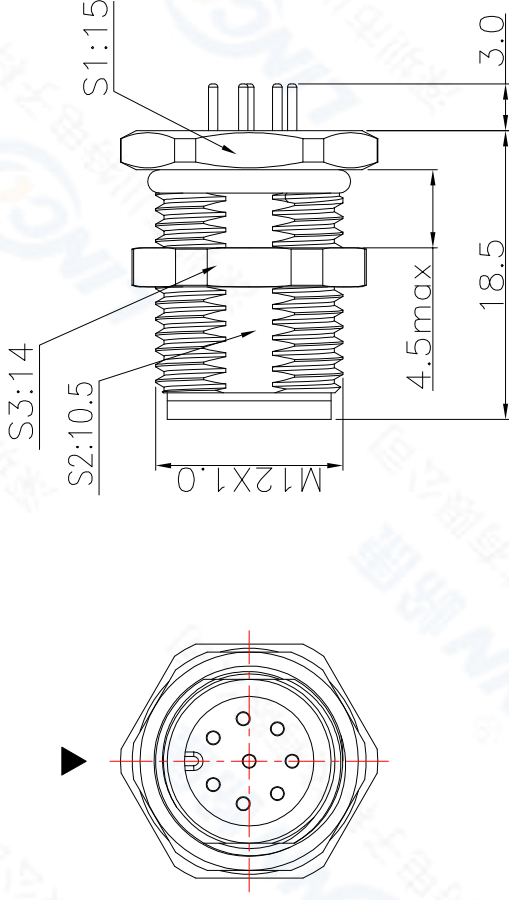
固定式插座/Fixed socket M12F 9 308 A M D B G1



“ ” Insulator key

5. 技术特性/Technical Characteristics

- 寿命/Durability: >500 mate/unmate cycles
- Pin接触电阻/ Pin Contact Resistance: ≤10 mΩ
- 绝缘电阻/Insulation Resistance: ≥ 100 MΩ
- 温度等级/Rated Temperature: -25° C, +80° C
- 盐雾/Corrosion Resistance: Salt spray test, >48h
- 防水等级/Waterproof: IP67



5	六角螺母/Hexagonal nut: 黄铜镀镍/Brass,Nickel plated	TOLERANCES ARE: DECIMALES X±0.2 .XX±0.1	ANGLES ±	TITLE: 固定式插座/Fixed socket	REV. *
4	密封圈/O-RING: Rubber	SCALE F	APPROVALS	PART NO. M12F9308AMDBG1	
3	外壳/Outer Shell: 黄铜镀镍/Brass,Nickel plated	DIMENSION MM	APPROVED:	DATE	
2	绝缘体/Insulator: PA BLACK	SHEET 1 OF 1	CHECKED:		
1	公针芯/PIN: 黄铜镀金/Brass ,G/F	DWG NO. M12F	CHECKED:		
序号/ITEM	名称 & 规格/Name & Description	REV. A0	DRAWN: S.peng	03/24/2014	