

### 1. 芯数/NO. of contacts

系列/Series	303	304	305	306	308	312	317
孔位排列/Pin Number							
适配线缆/Conductor size	22AWG	22AWG	22AWG	24AWG	24AWG	26AWG	26AWG
导体直径/Pin size	1.0mm	1.0mm	1.0mm	0.8mm	0.8mm	0.6mm	0.6mm
额定电流/Rated current	4A	4A	4A	2A	2A	1A	1A
额定电压/Rated voltage	250V	250V	60V	30V	30V	30V	30V

### 4. 编码原则/Part Number

固定式插座/Fixed socket M12F 9 305 A M A B G1

主型号/Type

面板孔/Panel Cut-Out: M12X1.0

针数/Pin Number

绝缘体型号/Insulator coded:A, B, D

绝缘体类型/Insulator type:W=Male

针类型/Sold Type:A=Turning

针长度/Pin Length:B=Standard

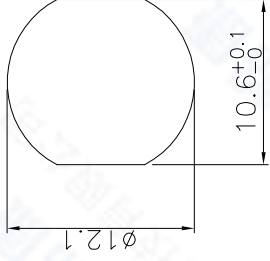
表面处理/Plating:Gold Flash

### 5. 技术特性/Technical Characteristics

1. 寿命/Durability: >500 mate/unmate cycles
2. Pin接触电阻/ Pin Contact Resistance:  $\leq 10 \text{ m}\Omega$
3. 绝缘电阻/Insulation Resistance:  $\geq 100 \text{ M}\Omega$
4. 温度等级/Rated Temperature:  $-25^\circ \text{C}, +80^\circ \text{C}$
5. 盐雾/Corrosion Resistance: Salt spray test, >48h
6. 防水等级/Waterproof: IP67

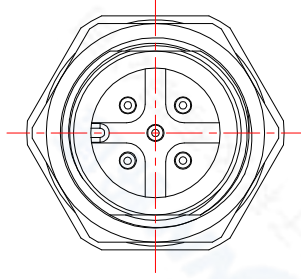
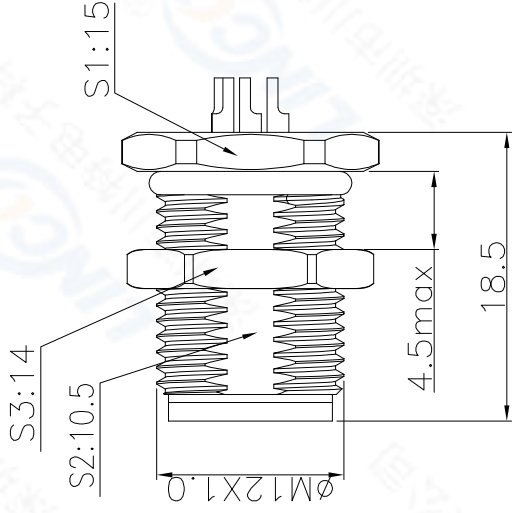
ECN REV DESCRIPTION DATE APPROVED

### 3. 面板开孔/RECOMMENDED PANEL CUT-OUT



### 2. 绝缘体型号/Insulator Coded

Coded	A	B	D
型号			



TOLERANCES ARE: DECIMALES ANGLES

TITLE: 固定式插座/Fixed socket

SCALE: F

SHEET: 1 OF 1

DWG NO. M12F

REV. A0

APPROVALS

CHECKED:

DRAWN: S.peng

DATE

APPROVED:

CHECKED:

DRAWN: S.peng

PART NO.

M12F9305AMABG1

REV. \*

03/24/2014

Linconn Eic Tech Co.,LTD