

1. 芯数/NO. of contacts

系列/Series	303	304	305	306	308	312	317
Pin 排列/Pin Assignment PCB 孔位/PCB Layout (Front View)							
导体直径/Pin size	1.0mm	1.0mm	1.0mm	0.8mm	0.8mm	0.6mm	0.6mm
额定电压/Rated voltage	250V	250V	60V	30V	30V	30V	30V
额定电流/Rated current	4A	4A	4A	2A	2A	1.0A	1.0A

“▶” Insulator key

4. 面板开孔/RECOMMENDED PANEL CUT-OUT

	M12X1.0-PC9	M12X1.0-M16X1.5
	13.5 ^{+0.1} ₋₀	13.5 ^{+0.1} ₋₀

5. 技术特性/Technical Characteristics

- 寿命/Durability: >500 mate/unmate cycles
- Pin接触电阻/ Pin Contact Resistance: ≤10 mΩ
- 绝缘电阻/Insulation Resistance: ≥ 100 MΩ
- 温度等级/Rated Temperature: -25° C, +80° C
- 盐雾/Corrosion Resistance: Salt spray test, >48h
- 防水等级/Waterproof: IP67

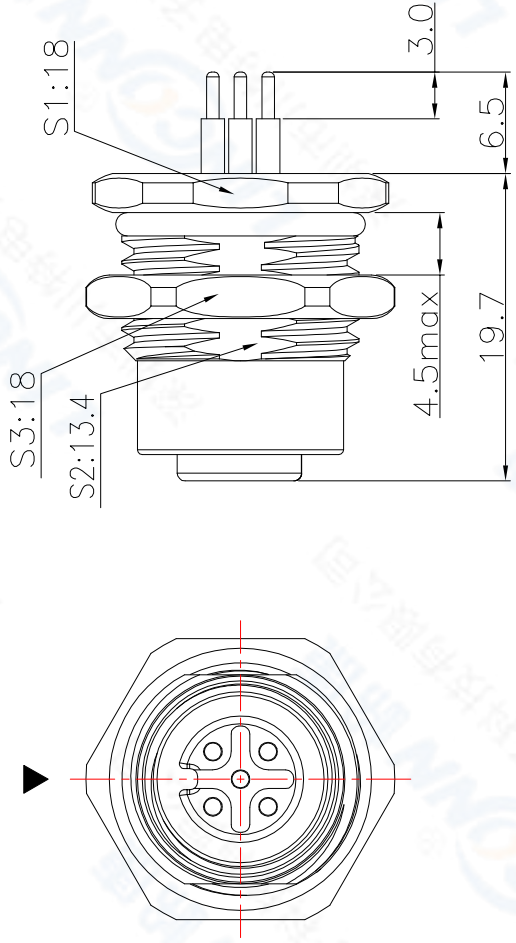
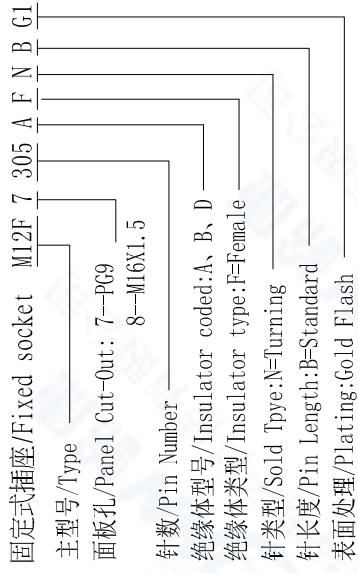
ECN	REV	DESCRIPTION	DATE	APPROVED

2. 绝缘体型号

Insulator Coded

Coded	Diagram
A	
B	
D	

3. 编码原则/Part Number



5	六角螺母/Hexagonal nut: 黄铜镀镍/Brass, Nickel plated
4	母针芯/PIN: 磷铜镀金/Phosphor copper, G/F
3	外壳/Outer Shell: 黄铜镀镍/Brass, Nickel plated
2	密封圈/O-RING: Rubber
1	绝缘体/Insulator: PA BLACK
序号/ITEM	名称 & 规格/Name & Description

SCALE	TOLERANCES ARE:	APPROVALS	DATE
F	DECIMALES ANGLES °XX'02 XX'01	APPROVED:	
DIMENSION		CHECKED:	
MM		DRAWN:	03/24/2014
REV.			
A0			

TITLE:	固定式插座/Fixed socket
PART NO.	M12F7305AFNBG1
REV.	*

