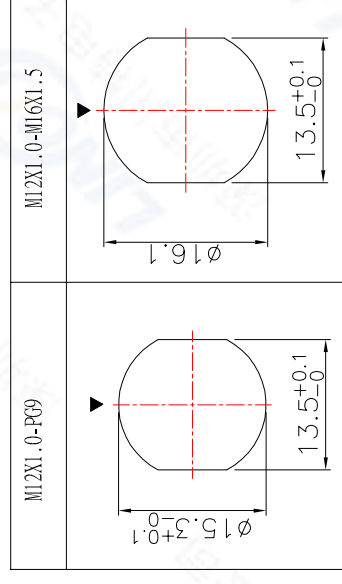


1. 芯数/NO. of contacts

系列/Series	303	304	305	306	308	312	317
Pin 排列/Pin Assignment PCB 孔位/PCB Layout (Front View)							
导体直径/Pin size	1.0mm	1.0mm	1.0mm	0.8mm	0.8mm	0.6mm	0.6mm
额定电压/Rated voltage	250V	250V	60V	30V	30V	30V	30V
额定电流/Rated current	4A	4A	4A	2A	2A	1.0A	1.0A

“ ” Insulator key

4. 面板开孔/RECOMMENDED PANEL CUT-OUT



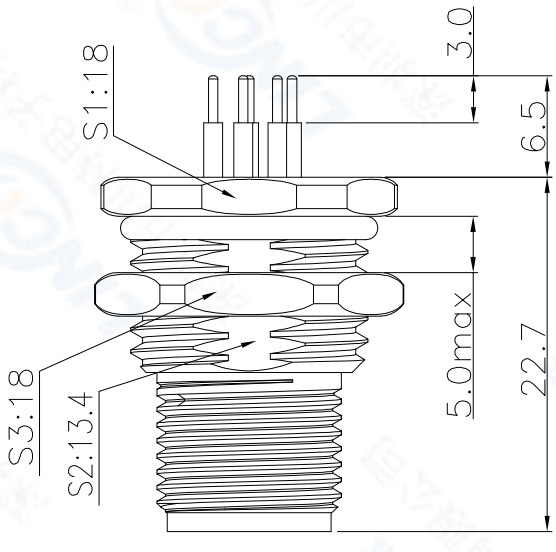
5. 技术特性/Technical Characteristics

1. 寿命/Durability: >500 mate/unmate cycles
2. Pin接触电阻/ Pin Contact Resistance: ≤10 mΩ
3. 绝缘电阻/Insulation Resistance: ≥ 100 MΩ
4. 温度等级/Rated Temperature: -25° C, +80° C
5. 盐雾/Corrosion Resistance: Salt spray test, >48h
6. 防水等级/Waterproof: IP67

2. 绝缘体型号  
Insulator Coded

Coded	Diagram
A	
B	
D	

3. 编码原则/Part Number  
固定式插座/Fixed socket MI2F 7 308 A M D B G I  
主型号/Type  
面板孔/Panel Cut-Out: 7--PC9  
8--MI6X1.5  
针数/Pin Number  
绝缘体型号/Insulator coded:A, B, D  
绝缘体类型/Insulator type:M=Male  
针类型/Sold type:D=Flurning  
针长度/Pin Length:B=Standard  
表面处理/Plating:Gold Flash



5	六角螺母/Hexagonal nut: 黄铜镀镍/Brass,Nickel plated
4	密封圈/O-RING: Rubber
3	外壳/Outer Shell: 黄铜镀镍/Brass,Nickel plated
2	绝缘体/Insulator: PA BLACK
1	公针芯/PIN: 黄铜镀金/Brass ,G/F
序号/ITEM	名称 & 规格/Name & Description

TOLERANCES ARE: DECIMALES X±0.2 .XX±0.1	ANGLES ±	TITLE: 固定式插座/Fixed socket
SCALE F	APPROVALS	PART NO. MI2F7308AMDBGI
DIMENSION MM	APPROVED:	REV. *
SHEET 1 OF 1	CHECKED:	
DWG NO. M12F	DRAWN: S.peng	
REV. A0	DATE 03/24/2014	