

ECN	REV	DESCRIPTION	DATE	APPROVED

1. 芯数/NO. of contacts

系列/Series	303	304	305
孔位排列/Pin Number			
适配线缆/Conductor size	0.25'2mm-2.0'2mm		
导体直径/Pin size	1.0mm	1.0mm	1.0mm
额定电流/Rated current	4A	4A	4A
额定电压/Rated voltage	250V	250V	60V

2. 绝缘体型号/Insulator Coded

Coded	A	D
型号		

3. 编码原则/Part Number

浮动式插头/Free Plug M12K 5 305 A M S B G1 K 8

主型号/Type \_\_\_\_\_

外观/Appearance: straight knurling and hexagon

针数/Pin Number \_\_\_\_\_

绝缘体型号/Insulator coded: A \_\_\_\_\_

绝缘体类型/Insulator type: M=Male \_\_\_\_\_

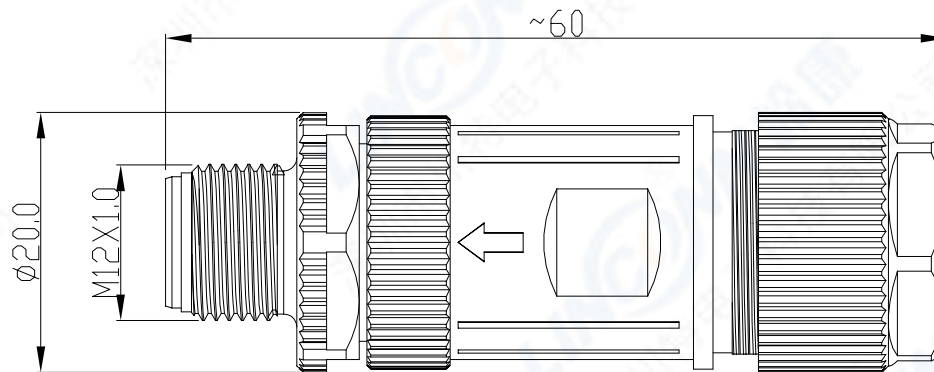
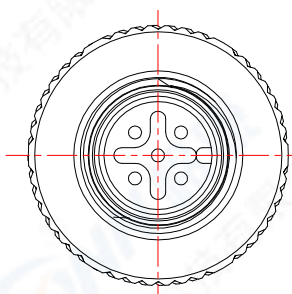
针类型/Sold Type: S=Screw \_\_\_\_\_

针长度/Pin Length: B=Standard \_\_\_\_\_

表面处理/Plating: Gold Flash \_\_\_\_\_

线夹/Collect \_\_\_\_\_

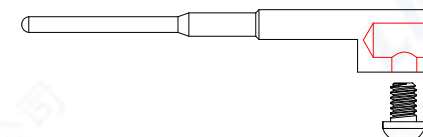
尾螺帽/Collect Nut: 8—Cable OD 6~8.5mm \_\_\_\_\_  
 10—Cable OD 8.6~10.5mm \_\_\_\_\_



技术特性/Technical Characteristics

1. 寿命/Durability: >500 mate/unmate cycles
2. Pin接触电阻/ Pin Contact Resistance: ≤10 mΩ
3. 绝缘电阻/Insulation Resistance: ≥ 100 MΩ
4. 温度等级/Rated Temperature: -25° C, +80° C
5. 盐雾/Corrosion Resistance: Salt spray test, >48h
6. 防水等级/Waterproof: IP67

插针/Pin



9	尾螺帽/Collect Nut: 锌合金镀镍/ Zinc Alloy, Nickel plated
8	线夹/Collect: 尼龙/PA
7	密封圈/Gasket: Rubber
6	外壳/Outer Shell: 锌合金镀镍/ Zinc Alloy, Nickel plated
5	固定座/Screw: 黄铜镀镍/Brass, Nickel plated
4	密封圈/O-RING: Rubber
3	M12 外壳/M12 Outer Shell: 锌合金镀镍/ Zinc Alloy, Nickel plated
2	公针芯/PIN: 黄铜镀金/Brass, G/F
1	绝缘体/Insulator: PA BLACK

	SCALE	TOLERANCES ARE:	
	F	DECIMALES	ANGLES
SHEET	DIMENSION	APPROVALS	DATE
1 OF 1	MM	APPROVED:	
DWG NO.	REV.	CHECKED:	
	A0	CHECKED:	
		DRAWN: pengsen	06/25/2021

TITLE: M12 male Plug	
PART NO. M12K5305AMSBG1K8	REV. *
Linconn Elec Tech Co., LTD	

序号ITEM 名称 & 规格/Name & Description