

ECN	REV	DESCRIPTION	DATE	APPROVED

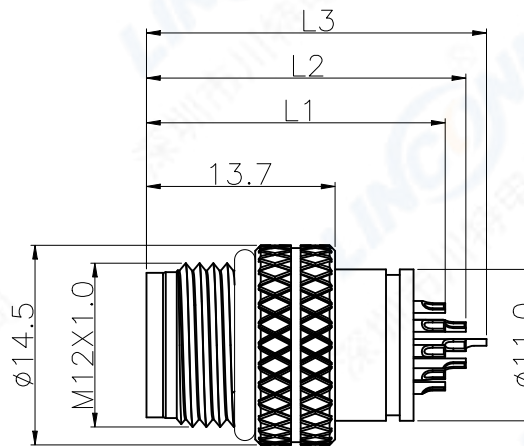
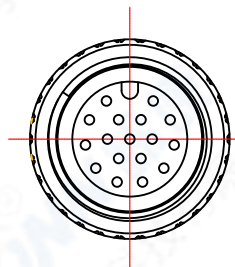
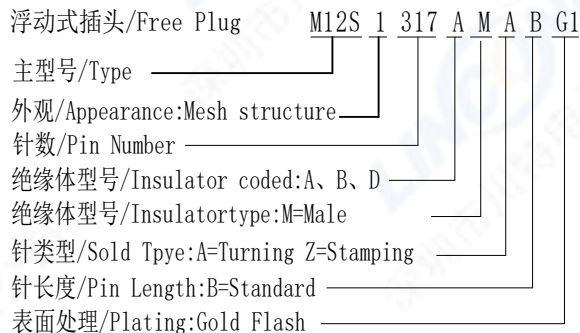
1. 芯数/NO. of contacts

系列/Series	303	304	305	306	308	312	317
孔位排列/Pin Number							
适配线缆/Conductor size	22AWG	22AWG	22AWG	24AWG	24AWG	26AWG	26AWG
导体直径/Pin size	1.0mm	1.0mm	1.0mm	0.8mm	0.8mm	0.6mm	0.6mm
额定电流/Rated current	4A	4A	4A	2A	2A	1A	1A
额定电压/Rated voltage	250V	250V	60V	30V	30V	30V	30V

2. 绝缘体型号/Insulator Coded

Coded	A	B	D
型号			

3. 编码原则/Part Number



4. 技术特性/Technical Characteristics

- 寿命/Durability: >500 mate/unmate cycles
- Pin接触电阻/ Pin Contact Resistance: ≤10 mΩ
- 绝缘电阻/Insulation Resistance: ≥ 100 MΩ
- 温度等级/Rated Temperature: -25° C, +80° C
- 盐雾/Corrosion Resistance: Salt spray test, >48h
- 防水等级/Waterproof: IP67

5. 插针组装尺寸/Pin assembly dimension

	针数 /Pin Number	3/4/5Pin	6Pin	8Pin	12Pin	17Pin
	L1	22.0	22.3	22.3	22.3	21.3
	L2	/			24.8	22.8
L3	/					24.3

4	屏蔽壳/Shield Shell: 铷铜镀镍/Brass, Nickel plated
3	外壳/Outer Shell: 锌合金镀镍/ Zinc Alloy, Nickel plated
2	绝缘体/Insulator: TPU BLACK
1	公针芯/PIN: 黄铜镀金/Brass ,G/F
序号ITEM	名称 & 规格/Name & Description

	SCALE	TOLERANCES ARE:
	F	DECIMALES ANGLES
SHEET	DIMENSION	APPROVALS
1 OF 1	MM	APPROVED:
DWG NO.	REV.	CHECKED:
M12S	A0	CHECKED:
		DRAWN: pengsen
		02/24/2022

TITLE:	M12 Plastic-molded Plug
PART NO.	M12S13***M*BG1
REV.	*
Linconn Elc Tech Co.,LTD	