

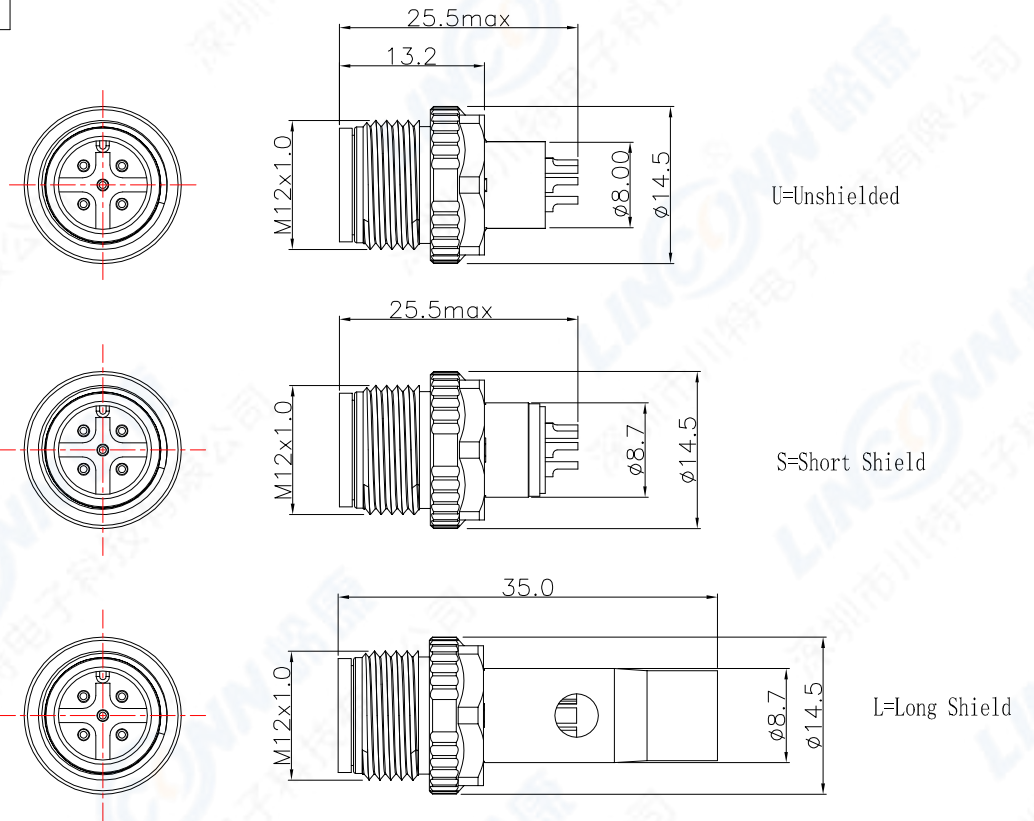
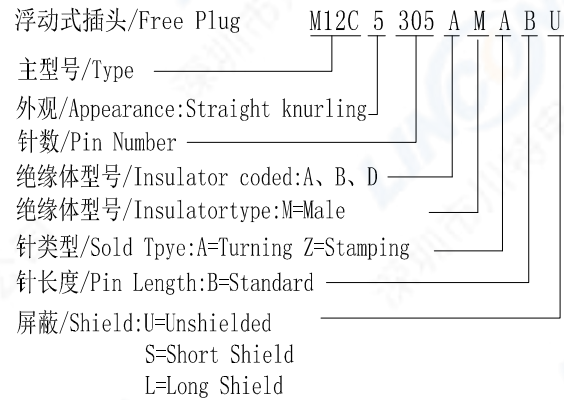
1. 芯数/NO. of contacts

系列/Series	303	304	305	306	308	312	317
孔位排列/Pin Number							
适配线缆/Conductor size	22AWG	22AWG	22AWG	24AWG	24AWG	26AWG	26AWG
导体直径/Pin size	1.0mm	1.0mm	1.0mm	0.8mm	0.8mm	0.6mm	0.6mm
额定电流/Rated current	4A	4A	4A	2A	2A	1A	1A
额定电压/Rated voltage	250V	250V	60V	30V	30V	30V	30V

2. 绝缘体型号/Insulator Coded

Coded	A	B	D
型号			

3. 编码原则/Part Number



4. 技术特性/Technical Characteristics

1. 寿命/Durability: >500 mate/unmate cycles
2. Pin接触电阻/ Pin Contact Resistance: ≤10 mΩ
3. 绝缘电阻/Insulation Resistance: ≥ 100 MΩ
4. 温度等级/Rated Temperature: -25° C, +80° C
5. 盐雾/Corrosion Resistance: Salt spray test, >48h
6. 防水等级/Waterproof: IP67

4	屏蔽壳/Shield Shell: 铜镍镀镍/Brass, Nickel plated
3	外壳/Outer Shell: 锌合金镀镍/ Zinc Alloy, Nickel plated
2	绝缘体/Insulator: TPU BLACK
1	公针芯/PIN: 黄铜镀金/Brass, G/F
序号ITEM	名称 & 规格/Name & Description

SHEET	SCALE	TOLERANCES ARE: DECIMALES X ± 0.2 .XX ± 0.1	ANGLES ±	TITLE: 浮动式插头/Free Plug	
	F			PART NO. M12C5305AMABU	
1 OF 1	DIMENSION	APPROVALS	DATE	REV. 01	
DWG NO. M12C	REV. A0	APPROVED:		LINCINN Linconn Elc Tech Co.,LTD	
		CHECKED:			
		CHECKED:			
		DRAWN: pengsen	2014/03/24		