

ECN	REV	DESCRIPTION	DATE	APPROVED

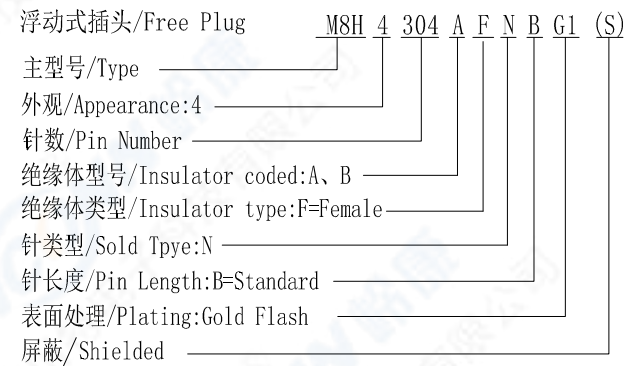
1. 芯数/NO. of contacts

系列/Series	303	304	305	306	308
孔位排列/Pin Number					
适配线缆/Conductor size	24AWG	24AWG	24AWG	26AWG	26AWG
导体直径/Pin size	1.0mm	1.0mm	1.0mm	0.7mm	0.6mm
额定电流/Rated current	3A	3A	3A	1A	1A
PCB 孔位/PCB Layout (Front View)					

2. 绝缘体型号  
Insulator Coded

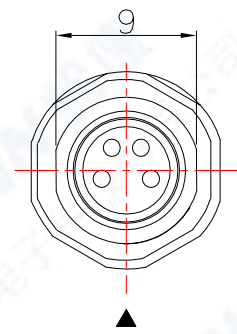
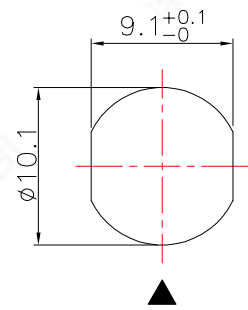
Coded	
A	
B	

3. 编码原则/Part Number



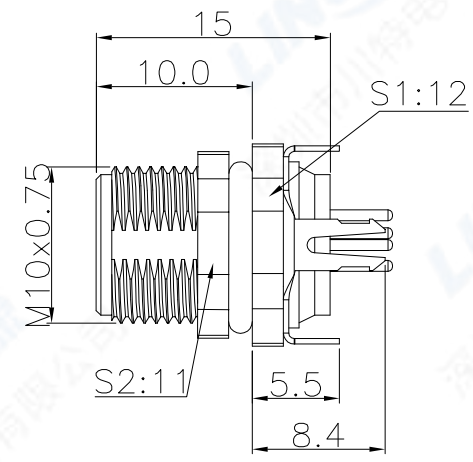
4. 面板开孔/RECOMMENDED PANEL CUT-OUT

"▲" Insulator key



5. 技术特性/Technical Characteristics

- 寿命/Durability: >500 mate/unmate cycles
- Pin接触电阻/ Pin Contact Resistance: ≤10 mΩ
- 绝缘电阻/Insulation Resistance: ≥ 100 MΩ
- 温度等级/Rated Temperature: -25° C, +80° C
- 盐雾/Corrosion Resistance: Salt spray test, >48h
- 防水等级/Waterproof: IP67



6	屏蔽壳/Shield Shell: 黄铜镀金/Brass, G/F
5	六角螺母/Hexagonal nut: 黄铜镀镍/Brass, Nickel plated
4	母针芯/PIN: 磷铜镀金/Phosphor copper, G/F
3	外壳/Outer Shell: 黄铜镀镍/Brass, Nickel plated
2	密封圈/O-RING: Rubber
1	绝缘体/Insulator: PA BLACK
序号/ITEM	名称 & 规格/Name & Description

	SCALE	TOLERANCES ARE: DECIMALES ANGLES · X± 0.2 · XX± 0.1	DATE
	F		
SHEET	DIMENSION	APPROVALS	DATE
1 OF 1	MM	APPROVED:	
DWG NO.	REV.	CHECKED:	
M8H	A0	CHECKED:	
		DRAWN: pengsen	03/04/2020

TITLE: 固定式插座/Fixed socket	
PART NO. M8H4304AFNBG1 (S)	REV. *
Linconn Etc Tech Co.,LTD	