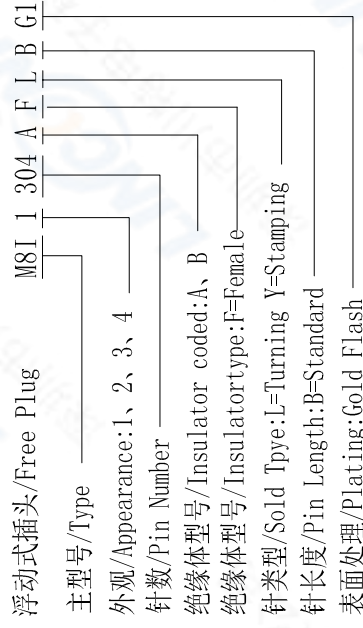


1. 芯数/\N.O. of contacts

系列/Series	303	304	305	306	308
孔位排列/Pin Number					
适配线缆/Conductor size	24AWG	24AWG	24AWG	26AWG	26AWG
导体直径/Pin size	1.0mm	1.0mm	1.0mm	0.7mm	0.6mm
额定电流/Rated current	3A	3A	3A	1A	1A
额定电压/Rated voltage	60V	30V	30V	30V	30V

3. 编码原则/Part Number



4. 技术特性/Technical Characteristics

1. 寿命/Durability: >1000 mate/unmate cycles
2. Pin接触电阻/ Pin Contact Resistance :  $\leq 10 \text{ m}\Omega$
3. 绝缘电阻/Insulation Resistance :  $\geq 100 \text{ M}\Omega$
4. 温度等级/Rated Temperature:  $-25^{\circ}\text{C}$ ,  $+80^{\circ}\text{C}$
5. 盐雾/Corrosion Resistance: Salt spray test, >48h
6. 防水等级/Waterproof: IP67

5 屏蔽壳/Shield Shell: 黄铜镀镍/Brass, Nickel plated  
 4 母针芯/PIN: 磷铜镀金/Phosphor copper, G/F

3 外壳/Outer Shell: 黄铜镀镍/Brass, Nickel plated

2 密封圈/O-RING: Rubber

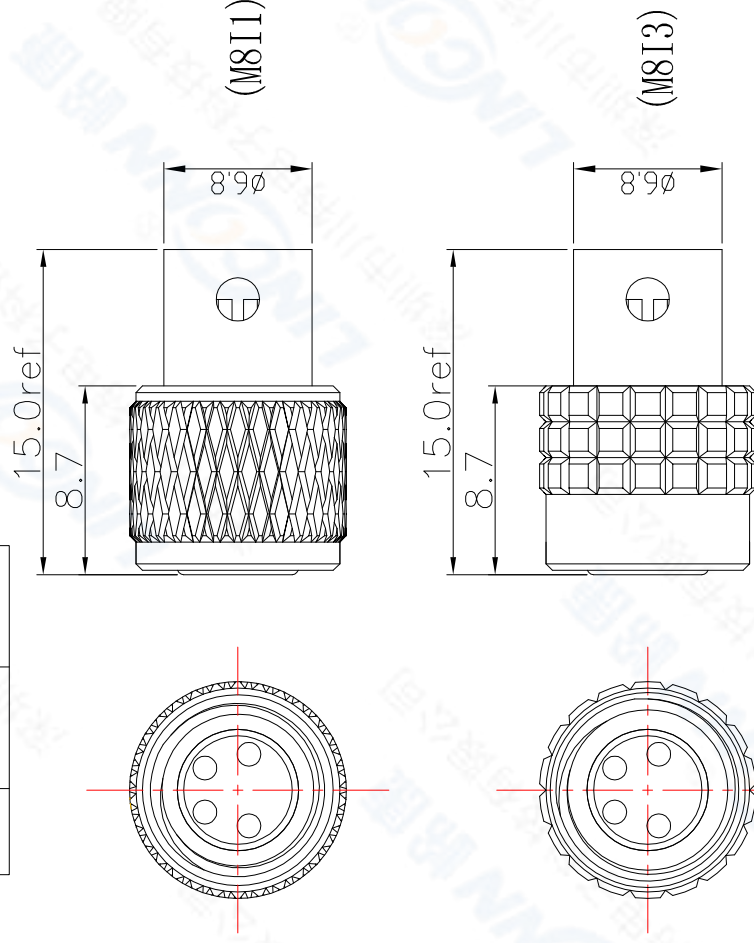
1 绝缘体/Insulator: PA BLACK

序号/ITEM 名称 & 规格/Name & Description

ECN	REV	DESCRIPTION	DATE	APPROVED

2. 绝缘体型号/Insulator Coded

Coded	A	B
型号		



TOLERANCES ARE: DECIMALES ANGLES

.X+0.2  
XX+0.1

SCALE F

SHEET 1 OF 1

DWG NO. M8I

REV. A0

APPROVALS

CHECKED:

CHECKED:

DRAWN: S.peng

DATE

03/24/2014

TITLE: 浮动式插头/Free Plug

PART NO. M8I1304AFLBG1

REV. \*

LINGON Linconn Eic Tech Co.,LTD