

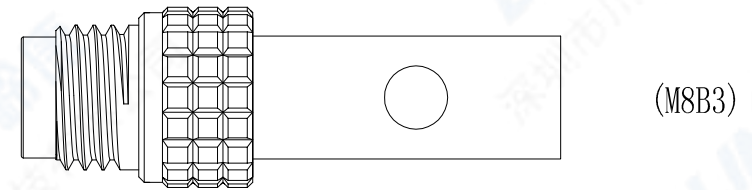
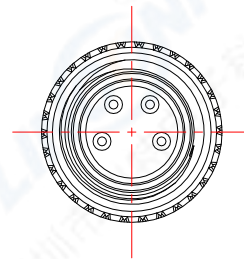
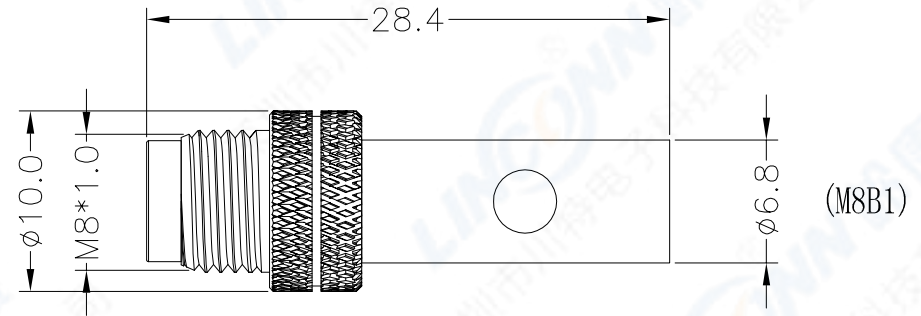
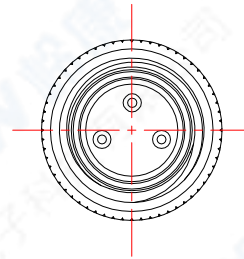
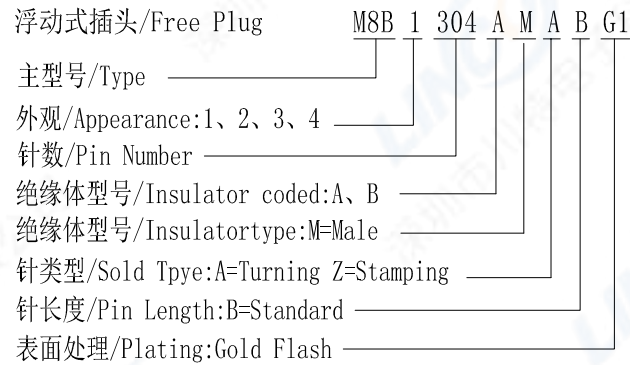
1. 芯数/NO. of contacts

系列/Series	303	304	305	306	308
孔位排列/Pin Number					
适配线缆/Conductor size	24AWG	24AWG	24AWG	26AWG	26AWG
导体直径/Pin size	1.0mm	1.0mm	1.0mm	0.7mm	0.6mm
额定电流/Rated current	3A	3A	3A	1A	1A
额定电压/Rated voltage	60V	30V	30V	30V	30V

2. 绝缘体型号/Insulator Coded

Coded	A	B
型号		

3. 编码原则/Part Number



4. 技术特性/Technical Characteristics

1. 寿命/Durability: >1000 mate/unmate cycles
2. Pin接触电阻/ Pin Contact Resistance : ≤10 mΩ
3. 绝缘电阻/Insulation Resistance : ≥ 100 MΩ
4. 温度等级/Rated Temperature: -25°C,+80°C
5. 盐雾/Corrosion Resistance: Salt spray test,>48h
6. 防水等级/Waterproof: IP67

3	外壳/Outer Shell: 黄铜镀镍/Brass,Nickel plated		SCALE	TOLERANCES ARE: DECIMALES ANGLES X ± 0.2 XX ± 0.1		TITLE: 浮动式插头/Free Plug	
2	公针芯/PIN: 黄铜镀金/Brass ,G/F		F			PART NO. M8B1304AMABG1	
1	绝缘体/Insulator: PA BLACK		SHEET	DIMENSION	APPROVALS	DATE	REV. *
			1 OF 1	MM	APPROVED:		
序号ITEM	名称 & 规格/Name & Description		DWG NO.	REV.	CHECKED:		
			M8B	A0	CHECKED:		
					DRAWN: S.peng	03/24/2014	