

### 1. 芯数/NO. of contacts

| 系列/Series           | 303   | 304   | 305   | 306   | 308   |
|---------------------|-------|-------|-------|-------|-------|
| 孔位排列/Pin Number     |       |       |       |       |       |
| 适配线缆/Conductor size | 24AWG | 24AWG | 24AWG | 26AWG | 26AWG |
| 导体直径/Pin size       | 1.0mm | 1.0mm | 1.0mm | 0.7mm | 0.6mm |
| 额定电流/Rated current  | 3A    | 3A    | 3A    | 1A    | 1A    |
| 额定电压/Rated voltage  | 60V   | 30V   | 30V   | 30V   | 30V   |

### 3. 编码原则/Part Number

浮动式插头/Free Plug M8A 1 304 A M A B G1

主型号/Type

外观/Appearance: 1, 2, 3, 4

针数/Pin Number

绝缘体型号/Insulator coded: A, B

绝缘体型号/Insulatortype: M=Male

针类型/Sold Type: A=Turning Z=Stamping

针长度/Pin Length: B=Standard

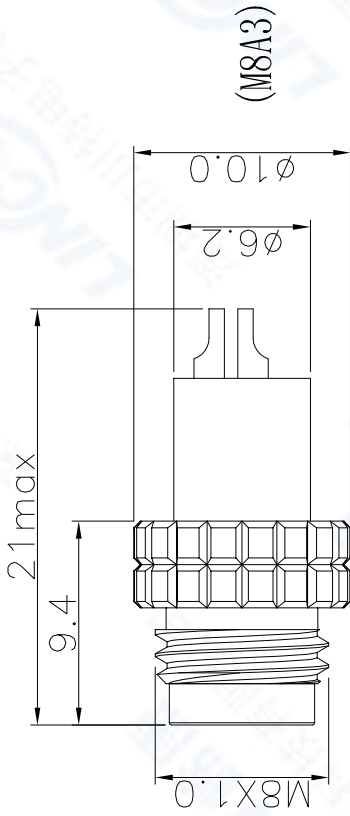
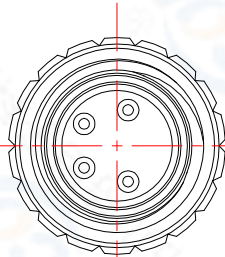
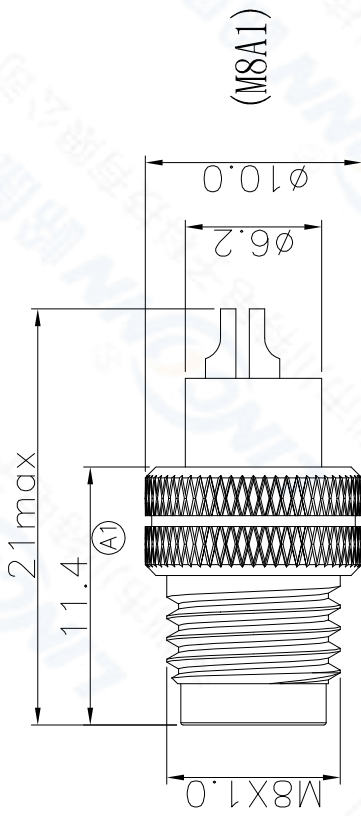
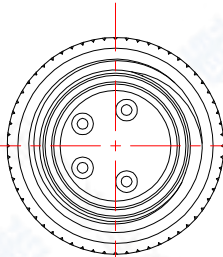
表面处理/Plating: Gold Flash

### 4. 技术特性/Technical Characteristics

1. 寿命/Durability: >1000 mate/unmate cycles
2. Pin接触电阻/ Pin Contact Resistance :  $\leq 10 \text{ m}\Omega$
3. 绝缘电阻/Insulation Resistance :  $\geq 100 \text{ M}\Omega$
4. 温度等级/Rated Temperature:  $-25^\circ\text{C}, +80^\circ\text{C}$
5. 盐雾/Corrosion Resistance: Salt spray test, >48h
6. 防水等级/Waterproof: IP67

### 2. 绝缘体型号/Insulator Coded

| Coded | A | B |
|-------|---|---|
| 型号    |   |   |



| ECN | REV                             | DESCRIPTION | DATE | APPROVED |
|-----|---------------------------------|-------------|------|----------|
| A1  | size change design 11.9--->11.4 | 06/08/2020  |      |          |

|         |   |   |                        |
|---------|---|---|------------------------|
| 3       | 外壳/Outer Shell: 黄铜镀镍/Brass, Nickel plated | TOLERANCES ARE:<br>DECIMALES<br>ANGLES<br>± | TITLE: 浮动式插头/Free Plug |
| 2       | 公芯/PIN: 黄铜镀金/Brass ,G/F                   | APPROVALS                                   | PART NO. M8A1304MABG1  |
| 1       | 绝缘体/Insulator: PA BLACK                   | APPROVED:                                   | REV. *                 |
| 序号/ITEM | 名称 & 规格/Name & Description                | CHECKED:                                    |                        |
|         |   | DRAWN: pengsen                              | DATE 06/08/2020        |

**LINGCONN** Linconn Eic Tech Co.,LTD