

ECN	REV	DESCRIPTION	DATE	APPROVED

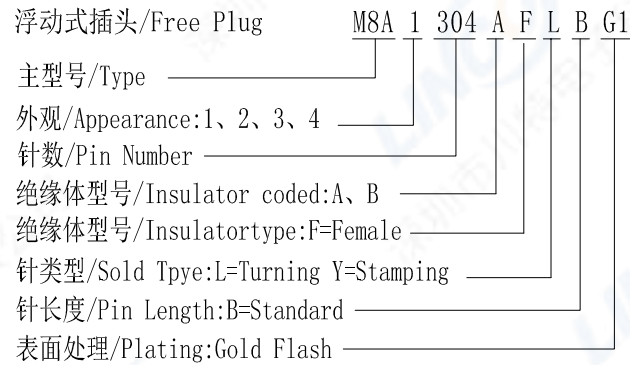
### 1. 芯数/NO. of contacts

系列/Series	303	304	305	306	308
孔位排列/Pin Number					
适配线缆/Conductor size	24AWG	24AWG	24AWG	26AWG	26AWG
导体直径/Pin size	1.0mm	1.0mm	1.0mm	0.7mm	0.6mm
额定电流/Rated current	3A	3A	3A	1A	1A
额定电压/Rated voltage	60V	30V	30V	30V	30V

### 2. 绝缘体型号/Insulator Coded

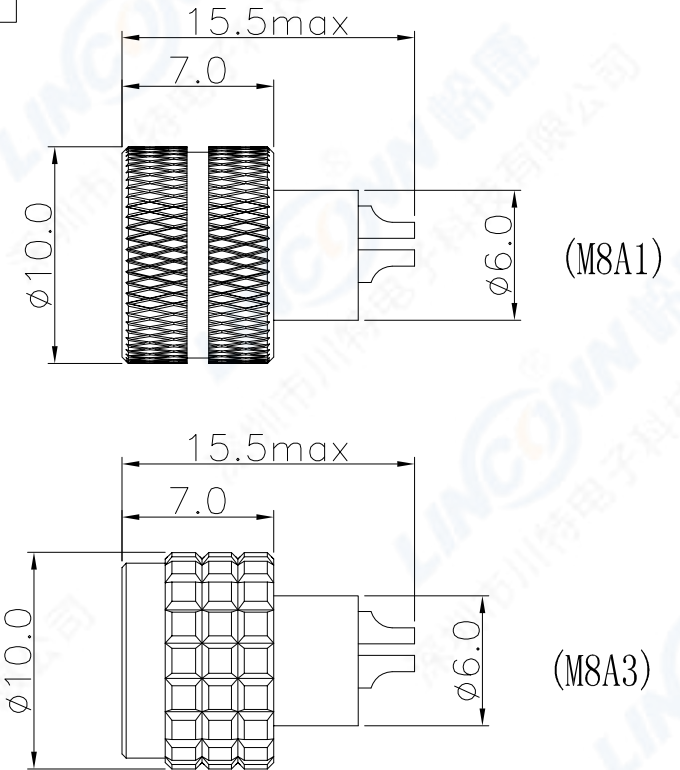
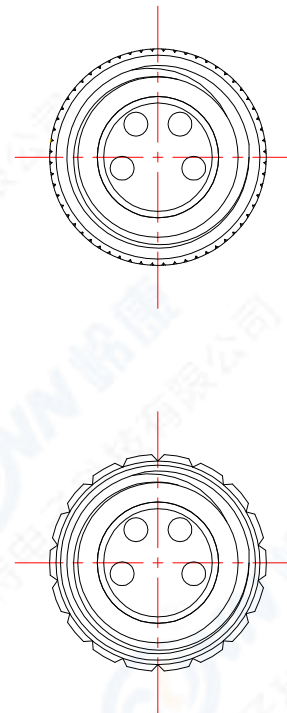
Coded	A	B
型号		

### 3. 编码原则/Part Number



### 4. 技术特性/Technical Characteristics

1. 寿命/Durability: >1000 mate/unmate cycles
2. Pin接触电阻/ Pin Contact Resistance :  $\leq 10 \text{ m}\Omega$
3. 绝缘电阻/Insulation Resistance :  $\geq 100 \text{ M}\Omega$
4. 温度等级/Rated Temperature:  $-25^\circ\text{C}, +80^\circ\text{C}$
5. 盐雾/Corrosion Resistance: Salt spray test, >48h
6. 防水等级/Waterproof: IP67



4	母针芯/PIN: 磷铜镀金/Phosphor copper, G/F
3	外壳/Outer Shell: 黄铜镀镍/Brass, Nickel plated
2	密封圈/O-RING: Rubber
1	绝缘体/Insulator: PA BLACK
序号ITEM	名称 & 规格/Name & Description

	SCALE	TOLERANCES ARE: DECIMALES      ANGLES · X±0.2 · XX±0.1	DATE
	F		
SHEET	DIMENSION	APPROVALS	DATE
1 OF 1	MM	APPROVED:	
DWG NO.	REV.	CHECKED:	
M8A	A0	CHECKED:	
		DRAWN: S.peng	03/24/2014

TITLE:	浮动式插头/Free Plug	
PART NO.	M8A1304AFLBG1	REV. *
Linnonn Elc Tech Co.,LTD		