

ECN	REV	DESCRIPTION	DATE	APPROVED

1. 芯数/NO. of contacts

系列/Series	303	304	305	306
孔位排列/Pin Number				
适配线缆/Conductor size	24AWG	24AWG	24AWG	26AWG
导体直径/Pin size	1.0mm	1.0mm	1.0mm	0.7mm
额定电流/Rated current	3A	3A	3A	1A
额定电压/Rated voltage	60V	30V	30V	30V

2. 绝缘体型号/Insulator Coded

Coded	A	B
型号		

3. 编码原则/Part Number

浮动式插头/Free Plug

P8E 303 A F S G1 K 5

主型号/Type

针数/Pin Number

绝缘体型号/Insulator coded:A、B

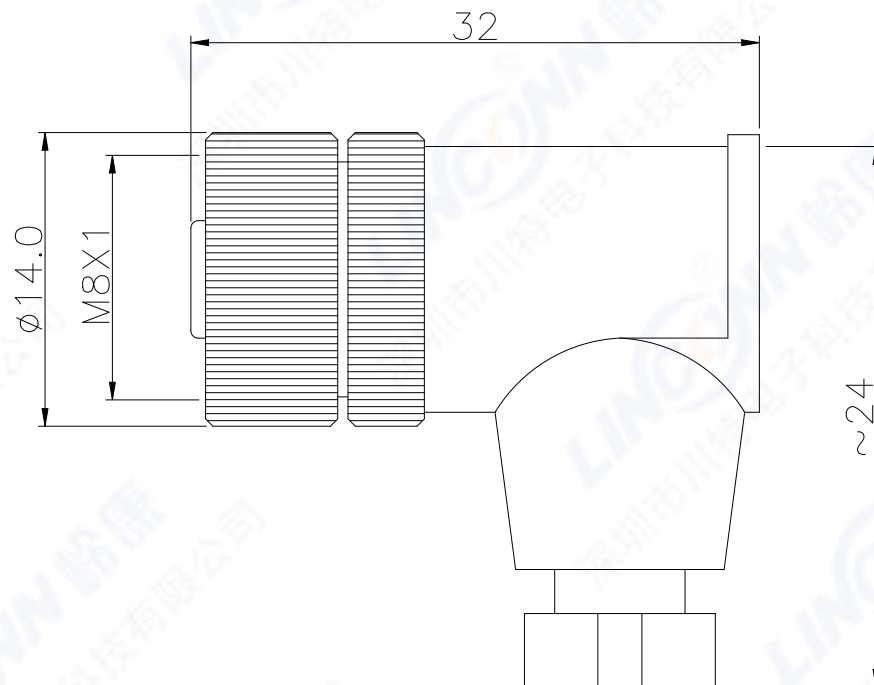
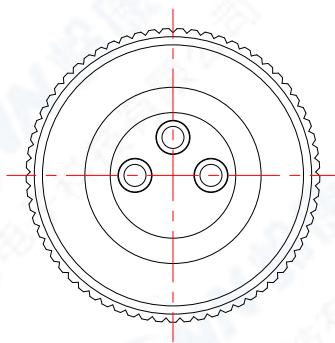
绝缘体类型/Insulator type:F=Female

针类型/Screw tpye:S=Screw

表面处理/Plating:Gold Flash

线夹/Collect

出线口/Cable OD:3-5mm



4. 技术特性/Technical Characteristics

1. 寿命/Durability: >1000 mate/unmate cycles
2. Pin接触电阻/ Pin Contact Resistance: $\leq 10 \text{ m}\Omega$
3. 绝缘电阻/Insulation Resistance: $\geq 100 \text{ M}\Omega$
4. 温度等级/Rated Temperature: $-25^\circ \text{C}, 80^\circ \text{C}$
5. 耐腐蚀/Corrosion Resistance: Salt spray test, >48h
6. 防水等级/Waterproof: IP67

	SCALE	TOLERANCES ARE:		TITLE: 浮动式插头/Free Plug	
	F	DECIMALES	ANGLES	PART NO. P8E303AFSG1K5	
SHEET	DIMENSION	.X ± 0.2	±	APPROVALS	REV. *
1 OF 1	MM	.XX ± 0.1		APPROVED:	
DWG NO.	REV.	CHECKED:		CHECKED:	
P8E	A0	DRAWN: S.peng	03/24/2014	LINCINN Linconn Elc Tech Co.,LTD	