

| | | | | |
|-----|-----|-------------|------|----------|
| ECN | REV | DESCRIPTION | DATE | APPROVED |
| | | | | |

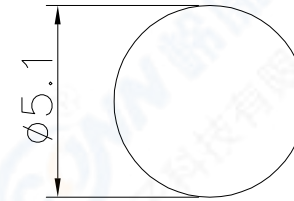
1. 芯数/NO. of contacts

| | | |
|---------------------|-------|-------|
| 系列/Series | 303 | 304 |
| 孔位排列/Pin Number | | |
| 适配线缆/Conductor size | 26AWG | 26AWG |
| 导体直径/Pin size | 0.5mm | 0.5mm |
| 额定电流/Rated current | 1A | 1A |
| 额定电压/Rated voltage | 60V | 60V |

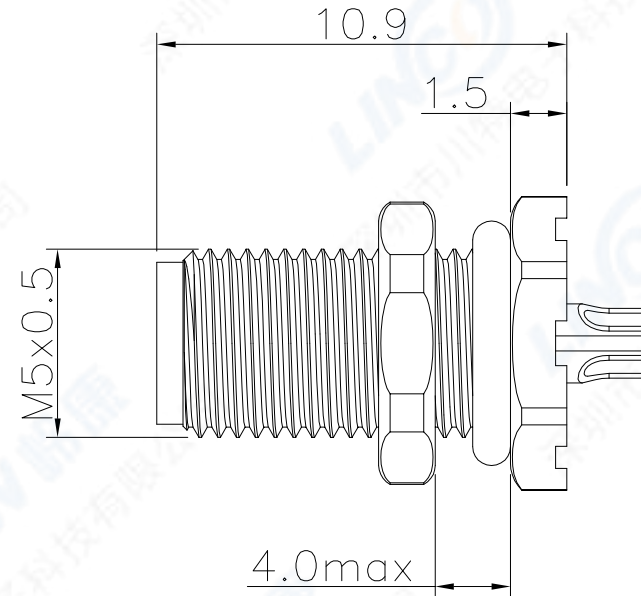
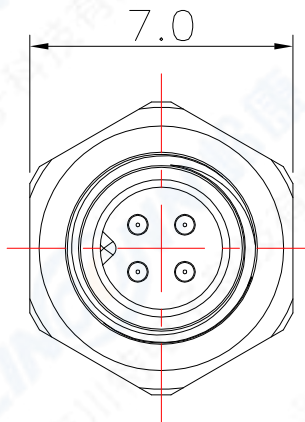
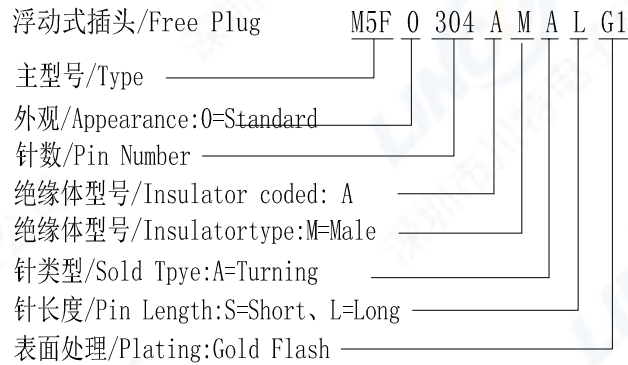
2. 绝缘体型号/Insulator Coded

| | |
|-------|---|
| Coded | A |
| 型号 | |

3. 面板开孔/RECOMMENDED PANEL CUT-OUT



4. 编码原则/Part Number



5. 技术特性/Technical Characteristics

1. 寿命/Durability: >500 mate/unmate cycles
2. Pin接触电阻/ Pin Contact Resistance: $\leq 10 \text{ m}\Omega$
3. 绝缘电阻/Insulation Resistance: $\geq 100 \text{ M}\Omega$
4. 温度等级/Rated Temperature: $-20^\circ\text{C}, +80^\circ\text{C}$
5. 盐雾/Corrosion Resistance: Salt spray test, >48h
6. 防水等级/Waterproof: IP67

| | |
|--------|---|
| 5 | 六角螺母/Hexagonal nut: 黄铜镀镍/Brass, Nickel plated |
| 4 | 密封圈/O-RING: Rubber |
| 3 | 外壳/Outer Shell: 黄铜镀镍/Brass, Nickel plated |
| 2 | 公针芯/PIN: 黄铜镀金/Brass, G/F |
| 1 | 绝缘体/Insulator: PA BLACK |
| 序号ITEM | 名称 & 规格/Name & Description |

| | | | |
|---------|-----------|-----------------|------------|
| | SCALE | TOLERANCES ARE: | |
| | F | DECIMALES | ANGLES |
| SHEET | DIMENSION | · X ± 0.2 | ± |
| 1 OF 1 | MM | · XX ± 0.1 | |
| DWG NO. | REV. | APPROVALS | DATE |
| M5F | A0 | APPROVED: | |
| | | CHECKED: | |
| | | CHECKED: | |
| | | DRAWN: S.peng | 03/24/2014 |

| | |
|---------------------------|--------|
| TITLE: 固定式插座/Fixed socket | |
| PART NO. M5F0304AMALG1 | REV. * |
| Linconn Elc Tech Co., LTD | |