

ECN	REV	DESCRIPTION	DATE	APPROVED

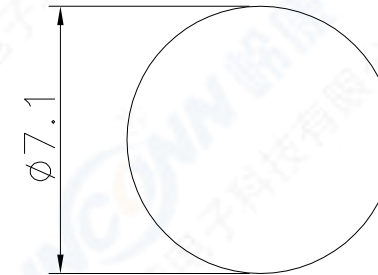
1. 芯数/NO. of contacts

系列/Series	303	304
孔位排列/Pin Number		
适配线缆/Conductor size	26AWG	26AWG
导体直径/Pin size	0.5mm	0.5mm
额定电流/Rated current	1A	1A
额定电压/Rated voltage	60V	60V

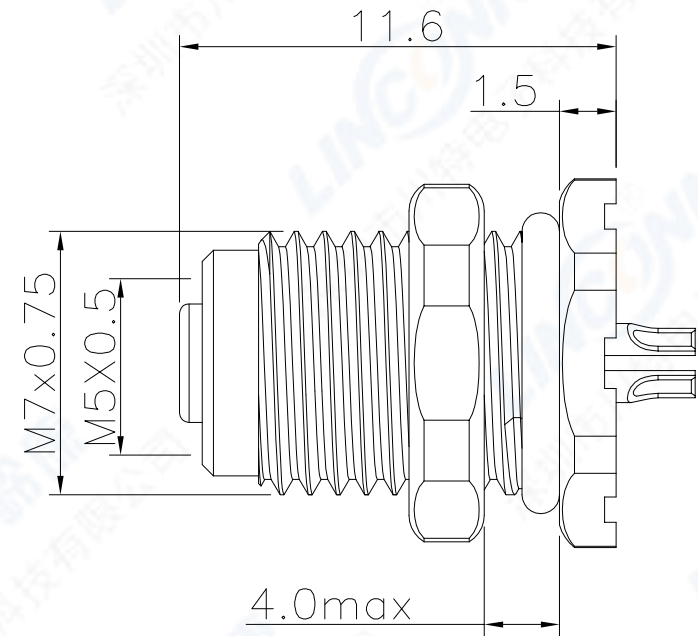
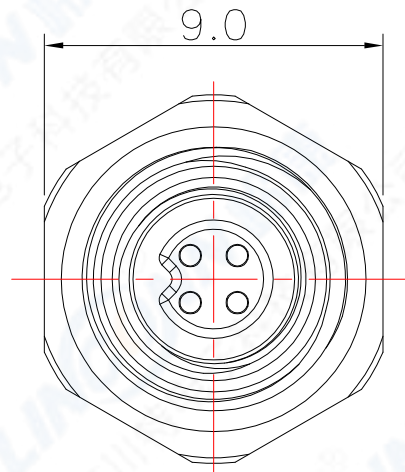
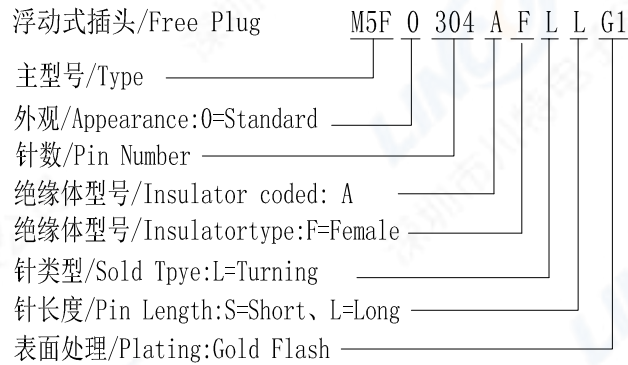
2. 绝缘体型号/Insulator Coded

Coded	A
型号	

3. 面板开孔/RECOMMENDED PANEL CUT-OUT



4. 编码原则/Part Number



5. 技术特性/Technical Characteristics

1. 寿命/Durability: >500 mate/unmate cycles
2. Pin接触电阻/ Pin Contact Resistance: $\leq 10\text{ m}\Omega$
3. 绝缘电阻/Insulation Resistance: $\geq 100\text{ M}\Omega$
4. 温度等级/Rated Temperature: $-20^\circ\text{C}, +80^\circ\text{C}$
5. 盐雾/Corrosion Resistance: Salt spray test, >48h
6. 防水等级/Waterproof: IP67

5	六角螺母/Hexagonal nut: 黄铜镀镍/Brass, Nickel plated
4	母针芯/PIN: 磷铜镀金/Phosphor copper, G/F
3	外壳/Outer Shell: 黄铜镀镍/Brass, Nickel plated
2	密封圈/O-RING: Rubber
1	绝缘体/Insulator: PA BLACK
序号ITEM	名称 & 规格/Name & Description

	SCALE	TOLERANCES ARE: DECIMALES ANGLES · X±0.2 · XX±0.1	
	F		
SHEET	DIMENSION	APPROVALS	DATE
1 OF 1	MM	APPROVED:	
DWG NO.	REV.	CHECKED:	
M5F	A0	CHECKED:	
		DRAWN: S.peng	03/24/2014

TITLE: 固定式插座/Fixed socket	
PART NO. M5F0304AFLG1	REV. *
Linnonn Elc Tech Co., LTD	