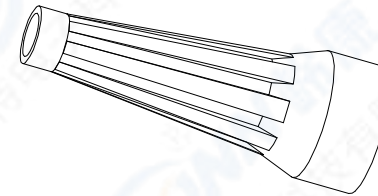


1. 芯数/NO. of contacts

系列/Series	303	304
孔位排列/Pin Number		
适配线缆/Conductor size	26AWG	26AWG
导体直径/Pin size	0.5mm	0.5mm
额定电流/Rated current	1A	1A
额定电压/Rated voltage	60V	60V

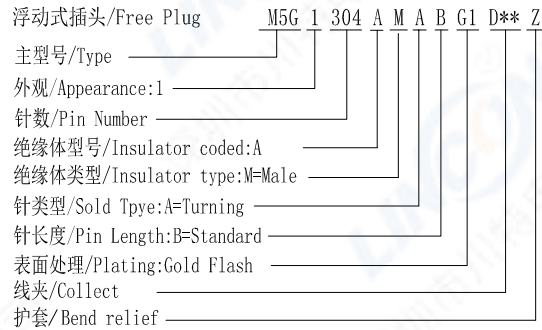
2. 绝缘体型号/Insulator Coded

Coded	A
型号	



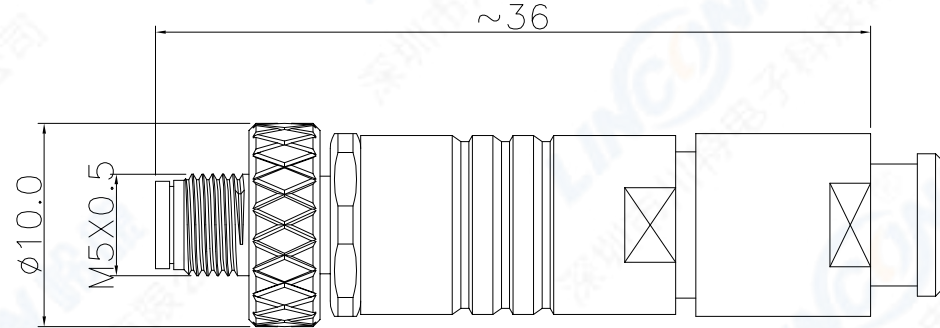
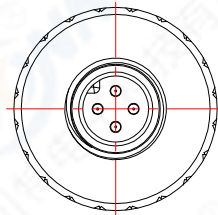
护套/Bend relief

3. 编码原则/Part Number



4. 技术特性/Technical Characteristics

1. 寿命/Durability: >500 mate/unmate cycles
2. Pin接触电阻/ Pin Contact Resistance: ≤10 mΩ
3. 绝缘电阻/Insulation Resistance: ≥ 100 MΩ
4. 温度等级/Rated Temperature: -20° C, +80° C
5. 盐雾/Corrosion Resistance: Salt spray test, >48h
6. 防水等级/Waterproof: IP67



11	尾螺帽/Collect Nut: 黄铜镀铬/Brass, Chrome plated
10	线夹/Collect: 黄铜镀镍/Brass, Nickel plated
9	金属垫/Washer: 黄铜镀镍/Brass, Nickel plated
8	弹性垫圈/Gasket: 硅胶/Silicone rubber
7	接地锥/Earthing cone: 黄铜镀镍/Brass, Nickel plated
6	外壳/Outer Shell: 黄铜镀铬/Brass, Chrome plated
5	六角固定座/Hexagonal Screw: 黄铜镀镍/Brass, Nickel plated
4	密封圈/O-RING: Rubber
3	M12 外壳/M12 Outer Shell: 黄铜镀镍/Brass, Nickel plated
2	公针芯/PIN: 黄铜镀金/Brass, G/F
1	绝缘体/Insulator: PA BLACK
序号/ITEM	名称 & 规格/Name & Description

	SCALE	TOLERANCES ARE: DECIMALES      ANGLES x±                      ±	
	F		
SHEET	DIMENSION	APPROVALS	DATE
1 OF 1	MM	APPROVED:	
DWG NO.	REV.	CHECKED:	
M5G	A0	CHECKED:	
		DRAWN:	S.peng 03/24/2014

TITLE: 浮动式插头/Free Plug	
PART NO. M5G1304AMABG1D**Z	REV. *
Linconn Elc Tech Co.,LTD	