

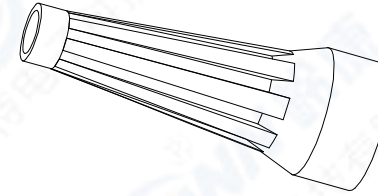
| ECN | REV | DESCRIPTION | DATE | APPROVED |
|-----|-----|-------------|------|----------|
|     |     |             |      |          |

1. 芯数/NO. of contacts

| 系列/Series           | 303   | 304   |
|---------------------|-------|-------|
| 孔位排列/Pin Number     |       |       |
| 适配线缆/Conductor size | 26AWG | 26AWG |
| 导体直径/Pin size       | 0.5mm | 0.5mm |
| 额定电流/Rated current  | 1A    | 1A    |
| 额定电压/Rated voltage  | 60V   | 60V   |

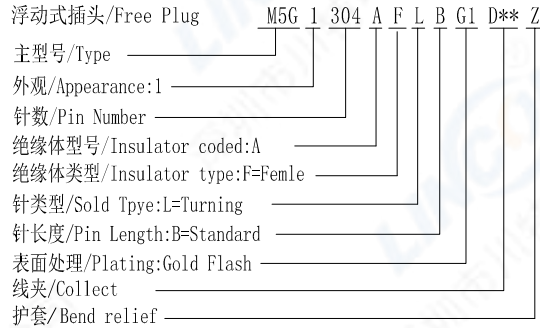
2. 绝缘体型号/Insulator Coded

| Coded | A |
|-------|---|
| 型号    |   |



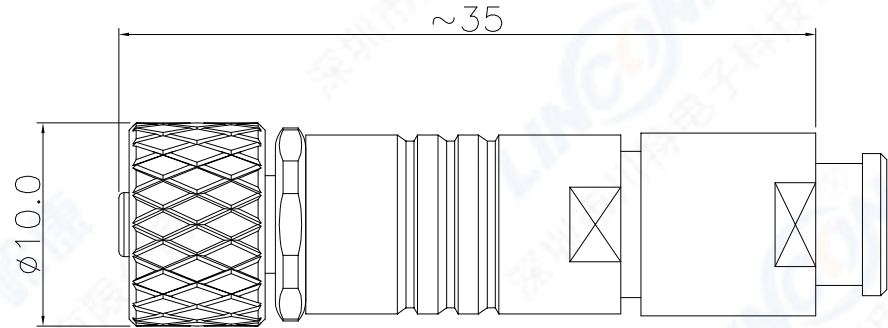
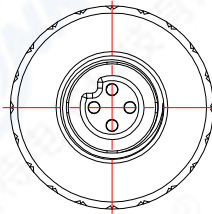
护套/Bend relief

3. 编码原则/Part Number



4. 技术特性/Technical Characteristics

1. 寿命/Durability: >500 mate/unmate cycles
2. Pin接触电阻/ Pin Contact Resistance: ≤10 mΩ
3. 绝缘电阻/Insulation Resistance: ≥ 100 MΩ
4. 温度等级/Rated Temperature: -20° C, +80° C
5. 盐雾/Corrosion Resistance: Salt spray test, >48h
6. 防水等级/Waterproof: IP67



|         |  |
|---------|--|
| 11      | 尾螺帽/Collect Nut: 黄铜镀铬/Brass, Chrome plated       |
| 10      | 线夹/Collect: 黄铜镀镍/Brass, Nickel plated            |
| 9       | 金属垫/Washer: 黄铜镀镍/Brass, Nickel plated            |
| 8       | 弹性垫圈/Gasket: 硅胶/Silicone rubber                  |
| 7       | 接地锥/Earthing cone: 黄铜镀镍/Brass, Nickel plated     |
| 6       | 外壳/Outer Shell: 黄铜镀铬/Brass, Chrome plated        |
| 5       | 六角固定座/Hexagonal Screw: 黄铜镀镍/Brass, Nickel plated |
| 4       | 密封圈/O-RING: Rubber                               |
| 3       | M8外壳/M8 Outer Shell: 黄铜镀镍/Brass, Nickel plated   |
| 2       | 绝缘体/Insulator: PA BLACK                          |
| 1       | 母针芯/PIN: 磷铜镀金/Phosphor copper, G/F               |
| 序号 ITEM | 名称 & 规格/Name & Description                       |

| SHEET   | DIMENSION | TOLERANCES ARE: |                   |
|---------|-----------|-----------------|-------------------|
|         |           | DECIMALES       | ANGLES            |
| 1 OF 1  | MM        | $\pm 0.1$       | $\pm$             |
| DWG NO. | REV.      | APPROVALS       | DATE              |
| M5G     | A0        | APPROVED:       |                   |
|         |           | CHECKED:        |                   |
|         |           | CHECKED:        |                   |
|         |           | DRAWN:          | S.peng 03/24/2014 |

|   |                   |        |
|---|-------------------|--------|
| TITLE:                                  | 浮动式插头/Free Plug   |        |
| PART NO.                                | M5G1304AFLBG1D**Z | REV. * |
| <b>LINCONN</b> Linconn Elc Tech Co.,LTD |                   |        |