

ECN	REV	DESCRIPTION	DATE	APPROVED

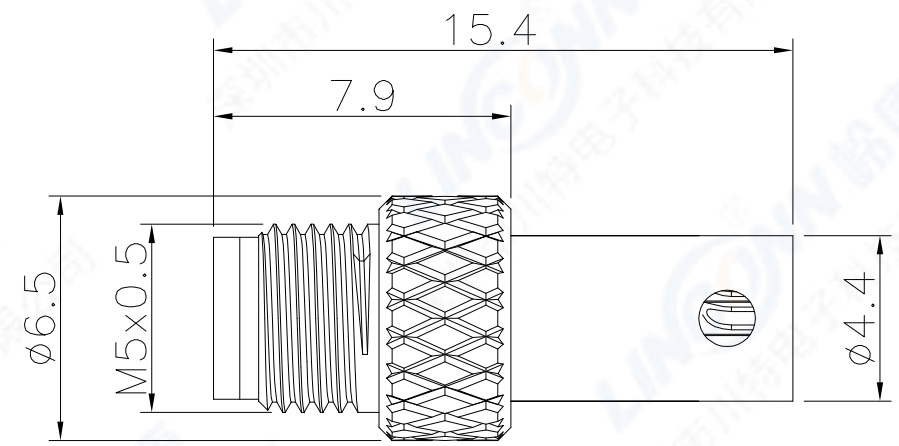
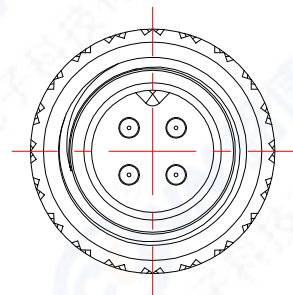
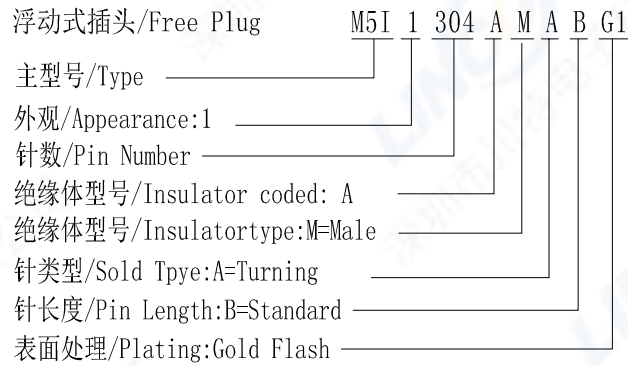
1. 芯数/NO. of contacts

系列/Series	303	304
孔位排列/Pin Number		
适配线缆/Conductor size	26AWG	26AWG
导体直径/Pin size	0.5mm	0.5mm
额定电流/Rated current	1A	1A
额定电压/Rated voltage	60V	60V

2. 绝缘体型号/Insulator Coded

Coded	A
型号	

3. 编码原则/Part Number



4. 技术特性/Technical Characteristics

1. 寿命/Durability: >500 mate/unmate cycles
2. Pin接触电阻/ Pin Contact Resistance : ≤10 mΩ
3. 绝缘电阻/Insulation Resistance : ≥ 100 MΩ
4. 温度等级/Rated Temperature: -20°C,+80°C
5. 盐雾/Corrosion Resistance: Salt spray test,>48h
6. 防水等级/Waterproof: IP67

5	屏蔽壳/Shield Shell: 黄铜镀镍/Brass,Nickel plated
3	外壳/Outer Shell: 黄铜镀镍/Brass,Nickel plated
2	公针芯/PIN: 黄铜镀金/Brass ,G/F
1	绝缘体/Insulator: PA BLACK

	SCALE	TOLERANCES ARE: DECIMALES ANGLES · X± 0.2 · XX± 0.1	
	F	±	
SHEET	DIMENSION	APPROVALS	DATE
1 OF 1	MM	APPROVED:	
DWG NO.	REV.	CHECKED:	
M5I	A0	DRAWN:	S.peng 03/24/2014

TITLE:	浮动式插头/Free Plug	
PART NO.	M5I1304AMABG1	REV. *

序号ITEM	名称 & 规格/Name & Description	LINCINN Linconn Elc Tech Co.,LTD		
--------	----------------------------	----------------------------------	--	--