

ECN	REV	DESCRIPTION	DATE	APPROVED

1) 1P系列推拉自锁连接器简介

A well proven connector of a small size to accommodate cable diameter up to 6.5 mm and allow up to 14 solder contacts.

2) 编码原则/Part Number

浮动式插座/Free socket SKG M09 G L L A

主型号/Key System(I)

针数/Pin Number(II)

外壳/Outer Shell:G=grey

N=black B=white

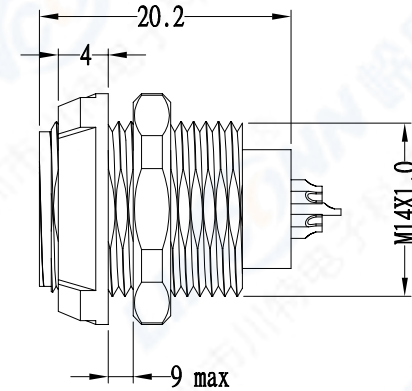
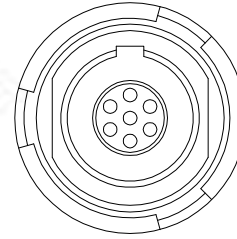
绝缘体/PPS Insulator

螺母颜色/Front nut colour table:

G=grey N=black A=blue R=red

J=yellow V=green B=white

焊接式/Sold Type



3) 编码说明/Part number example

定位销/Key System(I)

KEY LAYOUT	键位/Key Type	G	A	B	C	H	J
	键位/Key	1	2	2	2	2	2
	外壳型号/Type	SKG	SKA	SKB	SKC	SKH	SKJ
	角度/Angle	0°	40°	60°	80°	170°	205°
		α			β		

针数/Pin Number

系列/Series	MO.2	MO.4	MO.5	MO.6	MO.7	MO.8	MO.9	M1.0	M1.4
孔位排列/Pin Number									
导体直径/Pin size	1.3mm	0.9mm	0.9mm	0.7mm	0.7mm	0.7mm	0.5mm	0.5mm	0.5mm
适配线缆/Conductor size	20AWG	22AWG	22AWG	22AWG	22AWG	22AWG	28AWG	28AWG	28AWG
额定电流/Rated current	15A	10A	9A	7A	7A	5A	2A	1.5A	1.5A

5	六角螺母/Hexagonal nut: 黄铜镀镍/Brass,Nickel plated
4	前螺母/Front nut: PC
3	母针芯/Pin: 磷铜镀金/Phosphor copper,Gold plated
2	绝缘体/Insulator: PPS
1	外壳/Outer Shell: PC
序号 ITEM	名称 & 规格/Name & DESCRIPTION

	SCALE	TOLERANCES ARE: DECIMALES ANGLES x± -x±	
	F		
SHEET	DIMENSION	APPROVALS	DATE
1 OF 1	MM	APPROVED:	
DWG NO.	REV.	CHECKED:	
SKG1P	A0	CHECKED:	
		DRAWN: pengsen	07/24/2020

TITLE:	插座/Fixed socket	
PART NO.	SKG.M09.GL.LA	REV. *

LINCONN Linconn Elc Tech Co.,LTD