

ECN	REV	DESCRIPTION	DATE	APPROVED

1) 1B系列推拉自锁连接器简介

1B series connectors provide the following main features:

- security of the Push-Pull self-latching system -multipole types 2 to 16 contacts
- solder, crimp or print contacts (straight or elbow) -high packing density for space savings
- multiple key options to avoid cross mating -keying system (<G>key standard) of similar connectors for connector alignment
- 360°screening for full EMC shielding.

2) 技术特性/Technical Characteristics

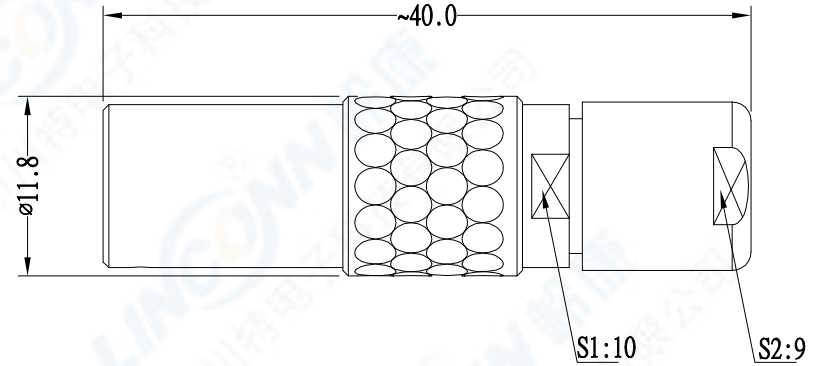
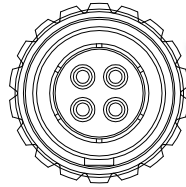
使用环境/Environment: 室内/Indoor

接口密封/Ingress protection: IP50

温度等级/Rated Temperature: -25°, +150°

寿命/Durability: >500 mate/unmate cycles

盐雾/Corrosion Resistance: Salt spray test>144h



3) 编码原则/Part Number

浮动式插座/Free socket TLTHG 1B 304 C L L D52

主型号/Key System (I)

针数/Pin Number (II)

外壳/Outer Shell

线夹/Collect (III)

焊接式/Sold Type

绝缘体/PPS Insulator

4) 编码说明/Part number example

定位销/Key System (I)

KEY LAYOUT	键位/Key Type	G	A	B	C	D	E	F	J	K	L
	键位/Key	1	2	2	2	2	2	2	2	2	2
	外壳型号/Type	TLTHG	TLTHA	TLTHB	TLTHC	TLTHD	TLTHE	TLTHF	TLTHJ	TLTHK	TLTHL
	角度/Angle	0°	30°	60°	90°	135°	145°	155°	45°	70°	80°
		α			β			γ			

针数/Pin Number (II)

系列/Series	302	303	304	305	306	307	308	310	314	316
孔位排列/Pin Number										
导体直径/Pin size	1.3mm	1.3mm	0.9mm	0.9mm	0.7mm	0.7mm	0.7mm	0.5mm	0.5mm	0.5mm
适配线缆/Conductor size	20AWG	20AWG	22AWG	22AWG	22AWG	22AWG	22AWG	28AWG	28AWG	28AWG
额定电流/Rated current	15A	12A	10A	9A	7A	7A	5A	2.5A	2.0A	1.5A

线夹护套/Collect (III)

线夹代号/code	32	42	52	62	72
线径/Cable OD	2.5-3.0	3.1-4.0	4.1-5.0	5.1-6.0	6.1-7.0
线夹/Collect Size	3.2mm	4.2mm	5.2mm	6.2mm	7.2mm

7	尾螺帽/Collect Nut: 黄铜镀铬/Brass, Chrome plated
6	线夹/Collect: 黄铜镀镍/Brass, Nickel plated
5	固定片/Insulator Carrier: 黄铜镀镍/Brass, Nickel plated
4	母针芯/Pin: 磷铜镀金/Phosphor copper, Gold plated
3	绝缘体/Insulator: PPS
2	接地环/Earthing crown: 黄铜镀镍/Brass, Nickel plated
1	外壳/Outer Shell: 黄铜镀铬/Brass, Chrome plated
序号 ITEM	名称 & 规格/Name & DESCRIPTION

SHEET	SCALE		TOLERANCES ARE:	
	F		DECIMALES	ANGLES
1 OF 1	DIMENSION		X±	
DWG NO.	REV.		±	
TLTHG1B	A0		APPROVALS	DATE
			APPROVED:	
			CHECKED:	
			CHECKED:	
			DRAWN: pengsen	26/02/2020

TITLE: 浮动式插座/Free socket

PART NO. TLTHG 1B 304 CLLD

REV. *

LINCONN Linconn Elec Tech Co., LTD