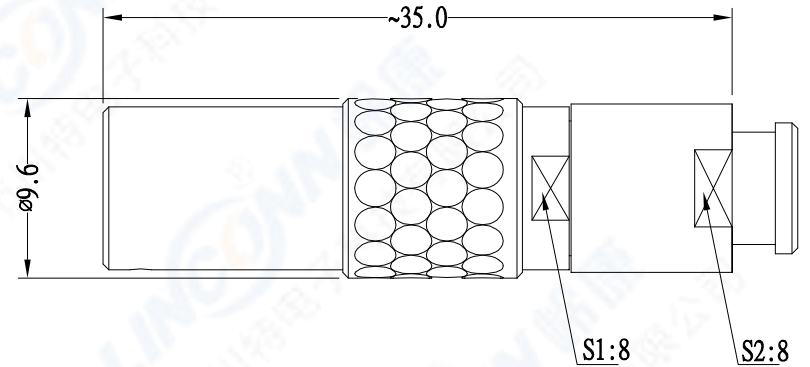
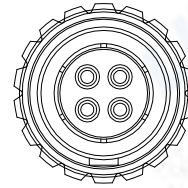


ECN	REV	DESCRIPTION	DATE	APPROVED

1) OB系列推拉自锁连接器简介

OB series connectors provide the following main features:

- security of the Push-Pull self-latching system -multipole types 2 to 9 contacts
- solder, crimp or print contacts (straight or elbow) -high packing density for space savings
- multiple key options to avoid cross mating -keying system ($\langle G \rangle$key standard)
- of similar connectors for connector alignment
- 360°screening for full EMC shielding.



2) 技术特性/Technical Characteristics

使用环境/Environment: 室内/Indoor

接口密封/Ingress protection: IP50

温度等级/Rated Temperature: -25° , +150°

寿命/Durability: >500 mate/unmate cycles

盐雾/Corrosion Resistance: Salt spray test>144h

3) 编码原则/Part Number

浮动式插座/Free socket TLTHG OB 304 C L L D52 Z

主型号/Key System (I)

针数/Pin Number (II)

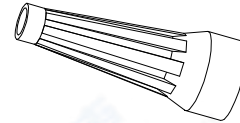
外壳/Outer Shell

护套/Bend relief

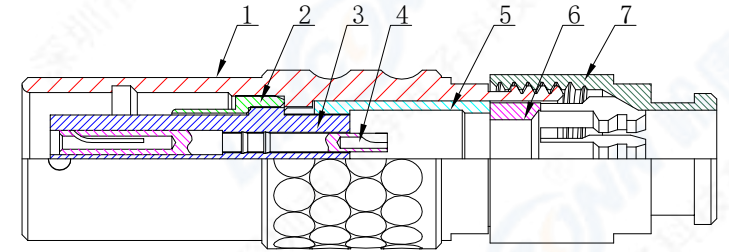
线夹/Collect (III)

焊接式/Sold Type

绝缘体/PPS Insulator



护套/Bend relief
SCALE 1:2



4) 编码说明/Part number example

定位销/Key System (I)

KEY LAYOUT	键位/Key Type	G	A	B	C	D	E	F	J	K	L
	键位/Key	1	2	2	2	2	2	2	2	2	2
	外壳型号/Type	TLTHG	TLTHA	TLTHB	TLTHC	TLTHD	TLTHE	TLTHF	TLTHJ	TLTHK	TLTHL
	角度/Angle	0°	30°	60°	90°	135°	145°	155°	45°	70°	80°
		/		α			β			γ	

线夹/Collect (III)

线夹代号/code	35	42	52
线径/Cable OD	2.5-3.4	3.5-4.0	4.1-5.0
线夹/Collect Size	3.5mm	4.2mm	5.2mm

7	尾螺帽/Collect Nut: 黄铜镀铬/Brass, Chrome plated
6	线夹/Collect: 黄铜镀镍/Brass, Nickel plated
5	固定片/Insulator Carrier: 黄铜镀镍/Brass, Nickel plated
4	母针芯/Pin: 磷铜镀金/Phosphor copper, Gold plated
3	绝缘体/Insulator: PPS
2	接地环/Earthing crown: 黄铜镀镍/Brass, Nickel plated
1	外壳/Outer Shell: 黄铜镀铬/Brass, Chrome plated
序号 ITEM	名称 & 规格/Name & DESCRIPTION

针数/Pin Number (II)

系列/Series	302	303	304	305	306	307	309
孔位排列/Pin Number							
接觸體直徑/Pin size	0.9mm	0.9mm	0.7mm	0.7mm	0.5mm	0.5mm	0.5mm
適配線纜/Conductor size	20AWG	20AWG	22AWG	22AWG	28AWG	28AWG	28AWG
額定電流/Rated current	10A	8A	7A	6.5A	2.5A	2.5A	2A

SCALE		TOLERANCES ARE:	
F		DECIMALES	ANGLES
SHEET		DIMENSION	
1 OF 1		MM	
DWG NO.		REV.	
TLTHGOB		A0	
APPROVALS	DATE	APPROVED:	
CHECKED:		CHECKED:	
DRAWN: pengsen	26/02/2020	DRAWN:	

TITLE:	浮动式插座/Free socket	
PART NO.	TLTHG OB 304 CLLDZ	REV. *
L inconn E lc Tech C o., L TD		