

ECN	REV	DESCRIPTION	DATE	APPROVED
-----	-----	-------------	------	----------

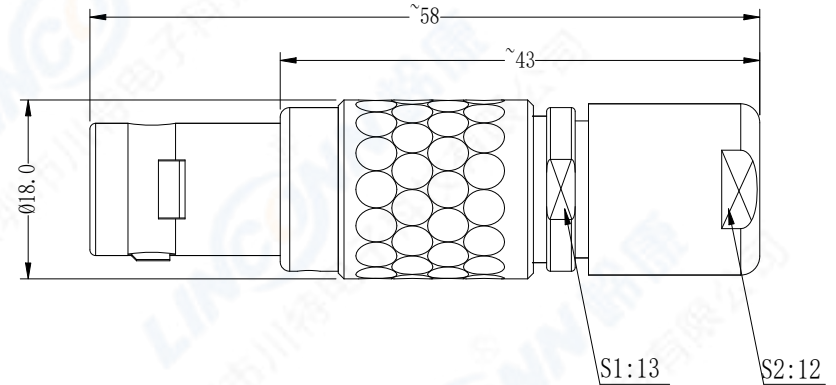
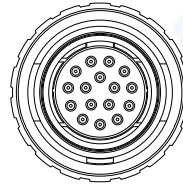
1) 3B系列推拉自锁连接器简介

3B series connectors provide the following main features:

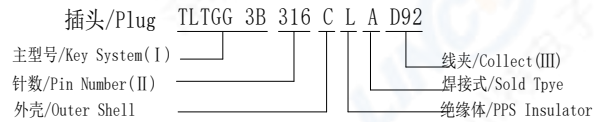
- security of the Push-Pull self-latching system -multipole types 2 to 32 contacts
- solder, crimp or print contacts (straight or elbow) -high packing density for space savings
- multiple key options to avoid cross mating -keying system (<G>key standard) of similar connectors for connector alignment
- 360° screening for full EMC shielding.

2) 技术特性/Technical Characteristics

使用环境/Environment: 室内/Indoor
 接口密封/Ingress protection: IP50
 温度等级/Rated Temperature: -25°, +150°
 寿命/Durability: >500 mate/unmate cycles
 盐雾/Corrosion Resistance: Salt spray test>144h



3) 编码原则/Part Number



4) 编码说明/Part number example

定位销/Key System(I)

KEY LAYOUT	键位/Key Type	G	A	B	C	D	E	F	J	K	L
	键位/Key	1	2	2	2	2	2	2	2	2	2
	外壳型号/Type	TLTGG	TLTGA	TLTGB	TLTGC	TLTGD	TLTGE	TLTGF	TLTGJ	TLTJK	TLTGL
	角度/Angle	0°	30°	45°	60°	95°	120°	145°	37.5°	52.5°	70°
		/	α			γ	β		α		γ

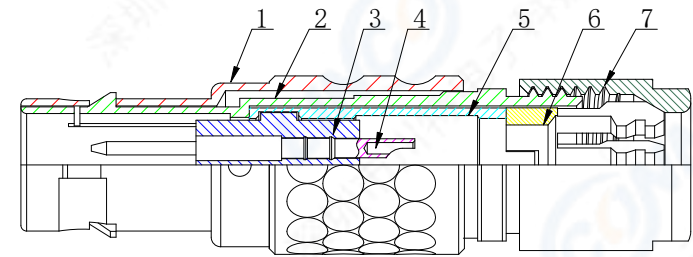
针数/Pin Number(II)

系列/Series	302	303	304	305	306	307	308	309	310	312
孔位排列/Pin Number										
导体直径/Pin size	3.0mm	2.0mm	2.0mm	1.6mm	1.6mm	1.6mm	1.3mm	1.3/2.0mm	1.3mm	0.9mm
适配线缆/Conductor size	12AWG	16AWG	16AWG	18AWG	18AWG	18AWG	20AWG	20/16AWG	20AWG	22AWG
额定电流/Rated current	35A	25A	19A	19A	17A	15A	13A	/	12A	9A

系列/Series	314	316	318	320	322	324	326	330	332
孔位排列/Pin Number									
导体直径/Pin size	0.9mm	0.9mm	0.9mm	0.7mm	0.7mm	0.7mm	0.7mm	0.7mm	0.7mm
适配线缆/Conductor size	22AWG	22AWG	22AWG	22AWG	22AWG	22AWG	22AWG	22AWG	22AWG
额定电流/Rated current	9A	8A	7A	6A	5.5A	4A	4A	3.5A	5.0A

线夹护套/Collect(III)

线夹代号/code	52	62	72	82	92	10	11
线径/Cable OD	4.1-5.0	5.1-6.0	6.1-7.0	7.1-8.0	8.1-9.0	9.1-10.0	10.1-11.0
线夹/Collect Size	5.2mm	6.2mm	7.2mm	8.2mm	9.2mm	10.2mm	11.2mm



7	尾螺帽/Collect Nut: 黄铜镀铬/Brass, Chrome plated
6	线夹/Collect: 黄铜镀镍/Brass, Nickel plated
5	固定片/Insulator Carrier: 黄铜镀镍/Brass, Nickel plated
4	公针芯/Pin: 黄铜镀金/Brass, Gold plated, 24AWG
3	绝缘体/Insulator: PPS
2	锁定套筒/Latch Sleeve: 黄铜镀镍/Copper, Nickel plated
1	外壳/Outer Shell: 黄铜镀铬/Brass, Chrome plated
序号 ITEM	名称 & 规格/Name & DESCRIPTION

	SCALE	TOLERANCES ARE:	
	F	DECIMALES	ANGLES
	SHEET	DIMENSION	±
	1 OF 1	MM	±
DWG NO.	REV.	APPROVALS	DATE
TLTGG3B	A0	APPROVED:	
		CHECKED:	
		CHECKED:	
		DRAWN:	pengsen 05/17/2022

TITLE: 插头/Plug	
PART NO. TLTGG. 3B. 3xx. CLADxx	REV. *
LINCONN Linconn Elc Tech Co.,LTD	