

ECN	REV	DESCRIPTION	DATE	APPROVED

1) 00B系列推拉自锁连接器简介

00B series connectors provide the following main features:

- security of the Push-Pull self-latching system -multipole types 2 to 4 contacts
- solder, crimp or print contacts (straight or elbow) -high packing density for space savings
- multiple key options to avoid cross mating -keying system (<G>key standard) of similar connectors for connector alignment
- 360° screening for full EMC shielding.

2) 技术特性/Technical Characteristics

使用环境/Environment: 室内/Indoor
 接口密封/Ingress protection: IP50
 温度等级/Rated Temperature: -25°, +150°
 寿命/Durability: >500 mate/unmate cycles
 盐雾/Corrosion Resistance: Salt spray test>144h

3) 編碼原則/Part Number

固定式插座/Fixed socket TLMGG 00 304 C L L



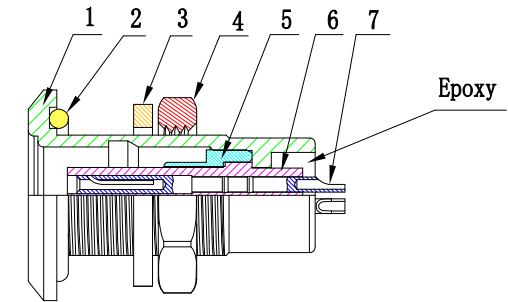
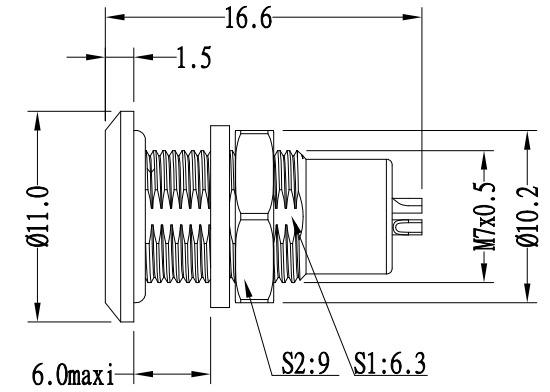
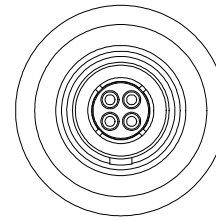
4) 編碼說明/Part number example

定位銷/Key System (I)

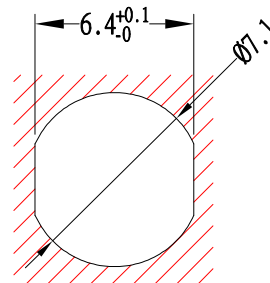
KEY LAYOUT	鍵位/Key Type	G	A	B	J
	鍵位/Key	1	2	2	2
	外壳型号/Type	MGG	MGA	MGB	MGJ
	角度/Angle	0°	30°	60°	45°
		/	α		γ

針數/Pin Number (II)

系列/Series	302	303	304
孔位排列/Pin Number			
接觸體直徑/Pin size	0.5mm	0.5mm	0.5mm
適配線纜/Conductor size	28AWG	28AWG	28AWG
額定電流/Rated current	5A	3A	2A



5) 面板開孔尺寸/Hole Size



7	母針芯/Pin: 磷銅鍍金/Phosphor copper, Gold plated
6	绝缘体/Insulator: PPS
5	接地环/Earthing crown: 黃銅鍍鎳/Brass, Nickel plated
4	六角螺母/Hexagonal nut: 黃銅鍍鎳/Brass, Nickel plated
3	墊圈/Locking washer: SUS 301
2	密封圈/O-RING: 橡膠/Rubber
1	外壳/Outer Shell: 黃銅鍍鎳/Brass, Chrome plated
序号 ITEM	名称 & 规格/Name & DESCRIPTION

	SCALE	TOLERANCES ARE:	
	F	DECIMALES X±	ANGLES ±
SHEET	DIMENSION	APPROVALS	DATE
1 OF 1	MM	APPROVED:	
DWG NO.	REV.	CHECKED:	
TLMGG00	A0	CHECKED:	
		DRAWN: pengsen	26/02/2020

TITLE: 固定式插座/Fixed socket	
PART NO. TLMGG 00 304 CLL	REV. *
Linconn Elc Tech Co.,LTD	