

ECN	REV	DESCRIPTION	DATE	APPROVED

1) 編碼原則/Part Number

固定式插座/Fixed socket TLZXG 1B 306 H L N



2) 编码说明/Part number example

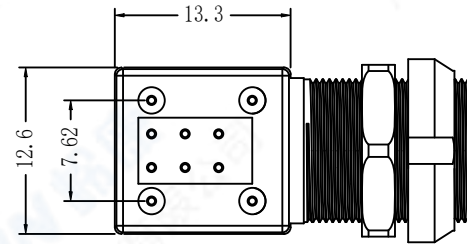
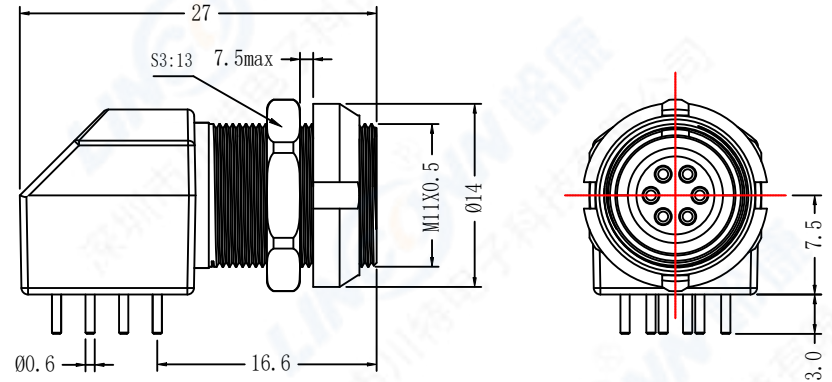
定位銷/Key System

KEY LAYOUT	鍵位/Key Type	G	A	B	C	D	E	F	J	K	L
	鍵位/Key	1	2	2	2	2	2	2	2	2	2
	外壳型号/Type	EXG	EXA	EXB	EXC	EXD	EXE	EXF	EXJ	EXK	EXL
	角度/Angle	0°	30°	60°	90°	135°	145°	155°	45°	70°	80°
		/	α			β			γ		

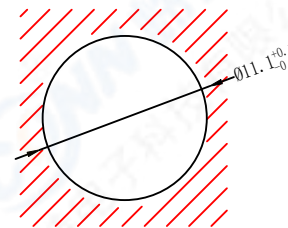
針数/Pin Number

系列/Series	302	303	304	305	306	307	308
孔位排列/ Pin Number							
PCB 孔位/ PCB Layout							

3) 印制线路板90° 插座排布/Elbow socket (90°) for printed circuit



4) 面板開孔尺寸/Hole Size



8	外模/Overmold: TPE black
7	母针芯/Pin: 磷铜镀金/Phosphor copper, Gold plated
6	绝缘体/Insulator: PPS
5	接地环/Earthing crown: 黄铜镀镍/Brass, Nickel plated
4	外壳/Outer shell: 黄铜镀铬/Brass, Chrome plated
3	六角螺母/Hexagonal nut: 黄铜镀镍/Brass, Nickel plated
2	垫圈/Locking washer: SUS 301
1	开槽螺母/Notched nut: 黄铜镀镍/Brass, Nickel plated
序号 ITEM	名称 & 规格/Name & DESCRIPTION

	SCALE	TOLERANCES ARE: DECIMALES X ± 1.0 X ± 0.5	
	F	ANGLES ±	
SHEET	DIMENSION	APPROVALS	DATE
1 OF 1	MM	APPROVED:	
DWG NO.	REV.	CHECKED:	
TLZXG1B	A0	CHECKED:	
		DRAWN: pengsen	03/24/2020

TITLE: 固定式插座/Fixed socket	
PART NO. TLZXG. 1B. 30xx. HLN	REV. *
Linconn Elc Tech Co.,LTD	