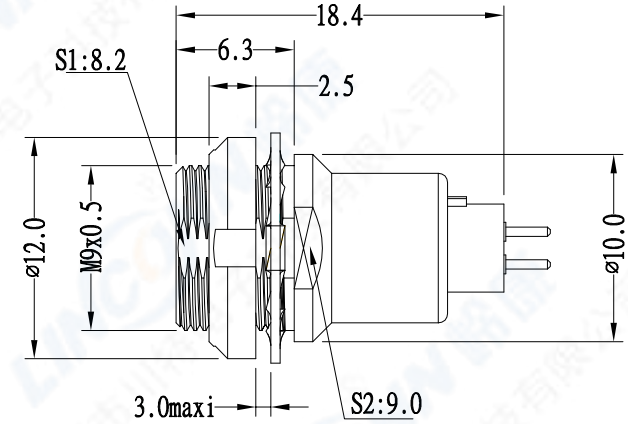
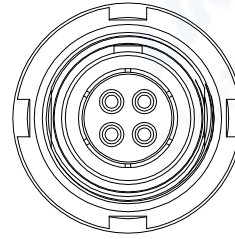


ECN	REV	DESCRIPTION	DATE	APPROVED

1) OB系列推拉自锁连接器简介

OB series connectors provide the following main features:

- security of the Push-Pull self-latching system -multipole types 2 to 9 contacts
- solder, crimp or print contacts (straight or elbow) -high packing density for space savings
- multiple key options to avoid cross mating -keying system ($\langle G \rangle$key standard) of similar connectors for connector alignment
- 360° screening for full EMC shielding.



2) 技术特性/Technical Characteristics

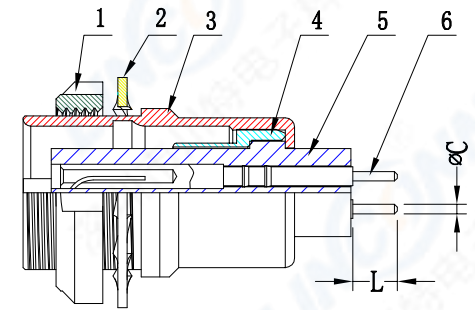
使用环境/Environment: 室内/Indoor
 接口密封/Ingress protection: IP50
 温度等级/Rated Temperature: -25°, +150°
 寿命/Durability: >500 mate/unmate cycles
 盐雾/Corrosion Resistance: Salt spray test>144h

3) 編碼原則/Part Number

固定式插座/Fixed socket TLZEG OB 304 C L N



	302/303	304/305	306/307/309
L	3.2	3.2	3.5
C	0.7	0.5	0.5

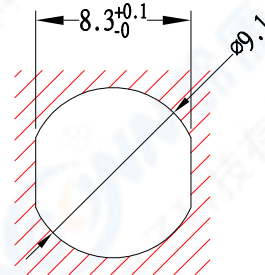


4) 编码说明/Part number example

定位销/Key System (I)

KEY LAYOUT	键位/Key Type	G	A	B	C	D	E	F	J	K	L
	键位/Key	1	2	2	2	2	2	2	2	2	2
	外壳型号/Type	TLZEG	TLZEA	TLZEB	TLZEC	TLZED	TLZEE	TLZEF	TLZEJ	TLZEK	TLZEL
	角度/Angle	0°	30°	60°	90°	135°	145°	155°	45°	70°	80°
		/	α			β			γ		

5) 面板開孔尺寸/Hole Size



針数/Pin Number (II)

系列/Series	302	303	304	305	306	307	309
孔位排列/Pin Number							
接觸直徑/Pin size	0.9mm	0.9mm	0.7mm	0.7mm	0.5mm	0.5mm	0.5mm
適配線纜/Conductor size	20AWG	20AWG	22AWG	22AWG	28AWG	28AWG	28AWG
額定電流/Rated current	10A	8A	7A	6.5A	2.5A	2.5A	2A

6	母針芯/Pin: 磷銅鍍金/Phosphor copper, Gold plated
5	絕緣體/Insulator: PPS
4	接地環/Earthing crown: 黃銅鍍鎳/Brass, Nickel plated
3	外殼/Outer shell: 黃銅鍍鉻/Brass, Chrome plated
2	墊圈/Locking washer: SUS 301
1	開槽螺母/Notched nut: 黃銅鍍鉻/Brass, Chrome plated
序號 ITEM	名稱 & 規格/Name & DESCRIPTION

SHEET	DIMENSION	TOLERANCES ARE:	
		DECIMALES	ANGLES
1 OF 1	MM	$\begin{matrix} x \pm \\ \cdot x \pm \end{matrix}$	\pm
DWG NO.	REV.	APPROVALS	DATE
TLZEGOB	A0	APPROVED:	
		CHECKED:	
		CHECKED:	
		DRAWN: pengsen	26/02/2020

TITLE:	固定式插座/Fixed socket	
PART NO.	TLZEG OB 304 CLN	REV. *
LINCONN Linconn Elec Tech Co., LTD		