

|     |     |             |      |          |
|-----|-----|-------------|------|----------|
| ECN | REV | DESCRIPTION | DATE | APPROVED |
|     |     |             |      |          |

### 1) 1B系列推拉自锁连接器简介

1B series connectors provide the following main features:

- security of the Push-Pull self-latching system -multipole types 2 to 16 contacts
- solder, crimp or print contacts (straight or elbow) -high packing density for space savings
- multiple key options to avoid cross mating -keying system (<math>\langle G \rangle</math>key standard) of similar connectors for connector alignment
- 360°screening for full EMC shielding.

### 2) 技术特性/Technical Characteristics

使用环境/Environment: 室内/Indoor  
 接口密封/Ingress protection: IP50  
 温度等级/Rated Temperature: -25°, +150°  
 寿命/Durability: >500 mate/unmate cycles  
 盐雾/Corrosion Resistance: Salt spray test>144h

### 3) 编码原则/Part Number

固定式插座/Fixed socket TLZCG 1B 304 C L L



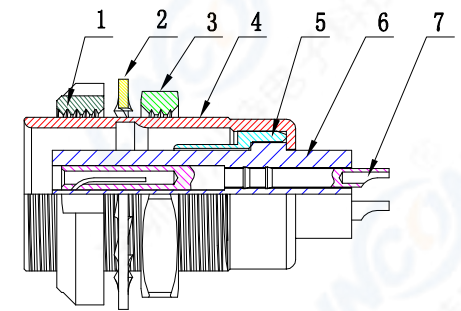
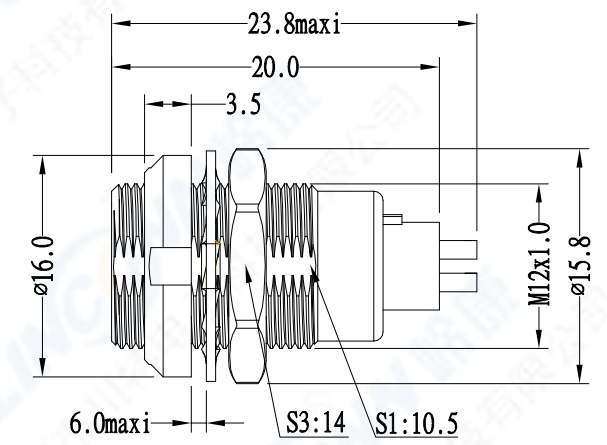
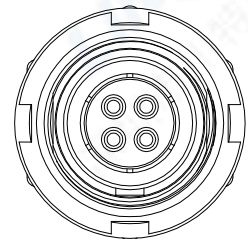
### 4) 编码说明/Part number example

定位销/Key System (I)

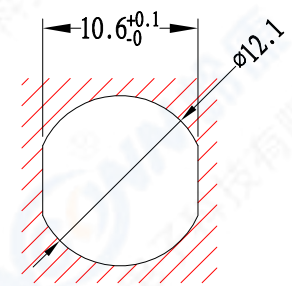
| KEY LAYOUT | 键位/Key Type | G     | A     | B     | C     | D     | E     | F     | J     | K     | L     |
|------------|-------------|-------|-------|-------|-------|-------|-------|-------|-------|-------|-------|
|            | 键位/Key      | 1     | 2     | 2     | 2     | 2     | 2     | 2     | 2     | 2     | 2     |
|            | 外壳型号/Type   | TLZCG | TLZCA | TLZCB | TLZCC | TLZCD | TLZCE | TLZCF | TLZCJ | TLZCK | TLZCL |
|            | 角度/Angle    | 0°    | 30°   | 60°   | 90°   | 135°  | 145°  | 155°  | 45°   | 70°   | 80°   |
|            |             | /     | α     |       |       | β     |       |       | γ     |       |       |

针数/Pin Number (II)

| 系列/Series           | 302   | 303   | 304   | 305   | 306   | 307   | 308   | 310   | 314   | 316   |
|---------------------|-------|-------|-------|-------|-------|-------|-------|-------|-------|-------|
| 孔位排列/Pin Number     |       |       |       |       |       |       |       |       |       |       |
| 导体直径/Pin size       | 1.3mm | 1.3mm | 0.9mm | 0.9mm | 0.7mm | 0.7mm | 0.7mm | 0.5mm | 0.5mm | 0.5mm |
| 适配线缆/Conductor size | 20AWG | 20AWG | 22AWG | 22AWG | 22AWG | 22AWG | 22AWG | 28AWG | 28AWG | 28AWG |
| 额定电流/Rated current  | 15A   | 12A   | 10A   | 9A    | 7A    | 7A    | 5A    | 2.5A  | 2.0A  | 1.5A  |



### 5) 面板开孔尺寸/Hole Size



|         |   |
|---------|---|
| 7       | 母针芯/Pin: 磷铜镀金/Phosphor copper, Gold plated    |
| 6       | 绝缘体/Insulator: PPS                            |
| 5       | 接地环/Earthing crown: 黄铜镀镍/Brass, Nickel plated |
| 4       | 外壳/Outer shell: 黄铜镀铬/Brass, Chrome plated     |
| 3       | 六角螺母/Hexagonal nut: 黄铜镀镍/Brass, Nickel plated |
| 2       | 垫圈/Locking washer: SUS 301                    |
| 1       | 开槽螺母/Notched nut: 黄铜镀铬/Brass, Chrome plated   |
| 序号 ITEM | 名称 & 规格/Name & DESCRIPTION                    |

|         |           |   |            |
|---------|-----------|---|------------|
|         | SCALE     | TOLERANCES ARE:<br>DECIMALES ANGLES<br>$\begin{matrix} x \pm \\ \cdot x \pm \end{matrix}$ |            |
|         | F         |   |            |
| SHEET   | DIMENSION | APPROVALS   | DATE       |
| 1 OF 1  | MM        | APPROVED:   |            |
| DWG NO. | REV.      | CHECKED:  |            |
| TLZCG1B | A0        | CHECKED:  |            |
|         |           | DRAWN: pengsen  | 26/02/2020 |

|                           |        |
|---------------------------|--------|
| TITLE: 固定式插座/Fixed socket |        |
| PART NO. TLZCG 1B 304 CLL | REV. * |
| Linnonn Elc Tech Co., LTD |        |