

### 1) OB系列推拉自锁连接器简介

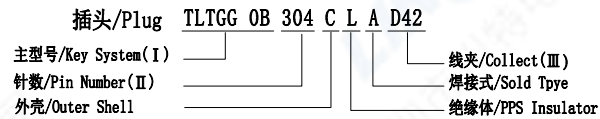
OB series connectors provide the following main features:

- security of the Push-Pull self-latching system -multipole types 2 to 9 contacts
- solder, crimp or print contacts (straight or elbow) -high packing density for space savings
- multiple key options to avoid cross mating -keying system (<math>\langle G \rangle</math>key standard)
- of similar connectors for connector alignment
- 360°screening for full EMC shielding.

### 2) 技术特性/Technical Characteristics

使用环境/Environment: 室内/Indoor  
 接口密封/Ingress protection: IP50  
 温度等级/Rated Temperature: -25° , +150°  
 寿命/Durability: >500 mate/unmate cycles  
 盐雾/Corrosion Resistance: Salt spray test>144h

### 3) 编码原则/Part Number



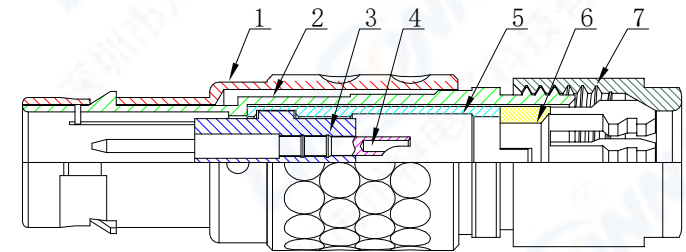
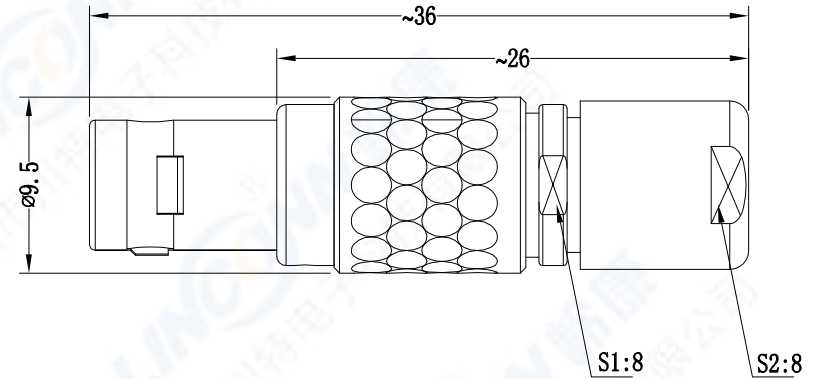
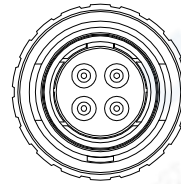
### 4) 编码说明/Part number example

定位销/Key System (I)

| KEY LAYOUT | 键位/Key Type | G     | A     | B     | C     | D     | E     | F     | J     | K     | L     |
|------------|-------------|-------|-------|-------|-------|-------|-------|-------|-------|-------|-------|
|            | 键位/Key      | 1     | 2     | 2     | 2     | 2     | 2     | 2     | 2     | 2     | 2     |
|            | 外壳型号/Type   | TLTGG | TLTGA | TLTGB | TLTGC | TLTGD | TLTGE | TLTGF | TLTGJ | TLTJK | TLTGL |
|            | 角度/Angle    | 0°    | 30°   | 60°   | 90°   | 135°  | 145°  | 155°  | 45°   | 70°   | 80°   |
|            |             | α     |       |       | β     |       |       | γ     |       |       |       |

针数/Pin Number (II)

| 系列/Series           | 302   | 303   | 304   | 305   | 306   | 307   | 309   |
|---------------------|-------|-------|-------|-------|-------|-------|-------|
| 孔位排列/Pin Number     |       |       |       |       |       |       |       |
| 接觸體直徑/Pin size      | 0.9mm | 0.9mm | 0.7mm | 0.7mm | 0.5mm | 0.5mm | 0.5mm |
| 適配線纜/Conductor size | 20AWG | 20AWG | 22AWG | 22AWG | 28AWG | 28AWG | 28AWG |
| 額定電流/Rated current  | 10A   | 8A    | 7A    | 6.5A  | 2.5A  | 2.5A  | 2A    |



线夹/Collect (III)

| 线夹代号/code       | 35      | 42      | 52      |
|-----------------|---------|---------|---------|
| 线径/Cable OD     | 2.5-3.4 | 3.5-4.0 | 4.1-5.0 |
| 线夹/Collect Size | 3.5mm   | 4.2mm   | 5.2mm   |

|         |  |
|---------|--|
| 7       | 尾螺帽/Collect Nut: 黄铜镀铬/Brass, Chrome plated       |
| 6       | 线夹/Collect: 黄铜镀镍/Brass, Nickel plated            |
| 5       | 固定片/Insulator Carrier: 黄铜镀镍/Brass, Nickel plated |
| 4       | 公针芯/Pin: 黄铜镀金/Brass, Gold plated                 |
| 3       | 绝缘体/Insulator: PPS                               |
| 2       | 锁定套筒/Latch Sleeve: 黄铜镀镍/Copper, Nickel plated    |
| 1       | 外壳/Outer Shell: 黄铜镀铬/Brass, Chrome plated        |
| 序号 ITEM | 名称 & 规格/Name & DESCRIPTION                       |

| SHEET   | SCALE     |  | TOLERANCES ARE: |            |
|---------|-----------|--|-----------------|------------|
|         | F         |  | DECIMALES       | ANGLES     |
| 1 OF 1  | DIMENSION |  | $x \pm$         | $\pm$      |
| DWG NO. | REV.      |  | APPROVALS       | DATE       |
| TLTGGOB | A0        |  | APPROVED:       |            |
|         |           |  | CHECKED:        |            |
|         |           |  | CHECKED:        |            |
|         |           |  | DRAWN: pengsen  | 26/02/2020 |

TITLE: 插头/Plug  
 PART NO. TLTGG OB 304 CLAD  
 REV. \*

**LINCONN** Linconn Elec Tech Co., LTD