

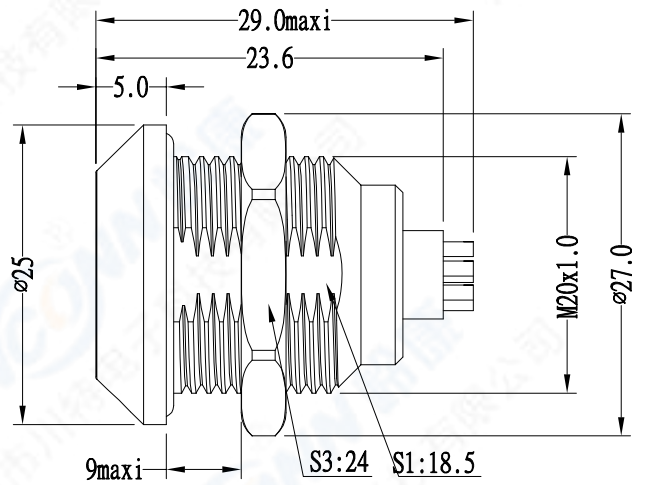
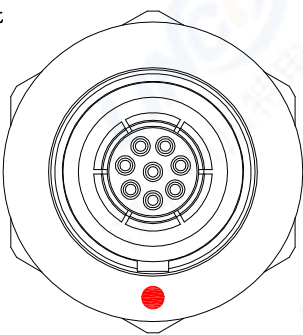
| | | | | |
|-----|-----|-------------|------|----------|
| ECN | REV | DESCRIPTION | DATE | APPROVED |
|-----|-----|-------------|------|----------|

1) 2K系列推拉自锁连接器简介

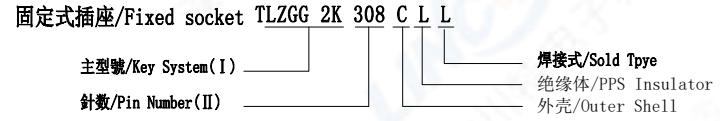
- 2K series connectors provide the following main features:
- security of the Push-Pull latching system -multipole types 2 to 32 contacts
 - solder, crimp or print(straight or elbow)contacts -high packing density for space savings
 - multiple key options to avoid cross mating -keying system (<G>key standard)for connector alignment
 - 360° screening for full EMC shielding
 - rugged housing for extreme working conditions -watertight connection(IP67/IP66)

2) 技术特性/Technical Characteristics

使用环境/Environment: 室外/outdoor
 温度等级/Rated Temperature: -25° ,+150°
 寿命/Durability: >500 mate/unmate cycles
 盐雾/Corrosion Resistance: Salt spray test>144h
 防水等级/Protection index:IP67/IP66



3) 编码原则/Part Number

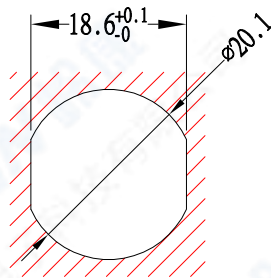


4) 编码说明/Part number example

定位销/Key System (I)

| KEY LAYOUT | 键位/Key Type | G | A | B | C | D | E | F | L |
|------------|-------------|-------|-------|-------|-------|-------|-------|-------|-------|
| | 键位/Key | 1 | 2 | 2 | 2 | 2 | 2 | 2 | 2 |
| | 外壳型号/Type | TLZGG | TLZGA | TLZGB | TLZGC | TLZGD | TLZGE | TLZGF | TLZGL |
| | 角度/Angle | 0° | 30° | 45° | 60° | 95° | 120° | 145° | 75° |
| | | / | α | | | γ | β | | γ |

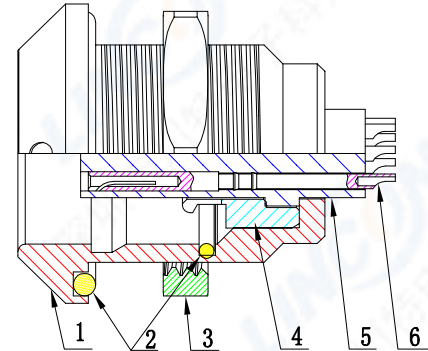
5) 面板開孔尺寸/Hole Size



针数/Pin Number (II)

| 系列/Series | 302 | 303 | 304 | 305 | 306 | 307 | 308 | 310 | 312 |
|---------------------|-------|-------|-------|-------|-------|-------|-------|-------|-------|
| 孔位排列/Pin Number | | | | | | | | | |
| 导体直径/Pin size | 2.0mm | 1.6mm | 1.3mm | 1.3mm | 1.3mm | 1.3mm | 0.9mm | 0.9mm | 0.7mm |
| 适配线缆/Conductor size | 14AWG | 16AWG | 20AWG | 20AWG | 20AWG | 20AWG | 22AWG | 22AWG | 22AWG |
| 额定电流/Rated current | 25A | 17.0A | 15.0A | 14.0A | 12.0A | 11.0A | 10.0A | 8.0A | 7.0A |

| 系列/Series | 314 | 316 | 318 | 319 | 326 | 332 |
|---------------------|-------|-------|-------|-------|-------|-------|
| 孔位排列/Pin Number | | | | | | |
| 导体直径/Pin size | 0.7mm | 0.7mm | 0.7mm | 0.7mm | 0.5mm | 0.5mm |
| 适配线缆/Conductor size | 22AWG | 22AWG | 22AWG | 22AWG | 28AWG | 28AWG |
| 额定电流/Rated current | 6.5A | 6.0A | 5.5A | 5.0A | 2.0A | 1.5A |



| | |
|---------|--|
| 6 | 母针芯/Pin: 磷铜镀金/Phosphor copper,Gold plated |
| 5 | 绝缘体/Insulator: PPS |
| 4 | 接地环/Earthing crown: 黄铜镀镍/Brass,Nickel plated |
| 3 | 六角螺母/Hexagonal nut: 黄铜镀镍/Brass,Nickel plated |
| 2 | 密封圈/O-RING: 橡胶/Rubber |
| 1 | 外壳/Outer Shell: 黄铜镀铬/Brass,Chrome plated |
| 序号 ITEM | 名称 & 规格/Name & DESCRIPTION |

| | | | |
|---------|-----------|-----------------|--------------------|
| | SCALE | TOLERANCES ARE: | |
| | F | DECIMALES | ANGLES |
| SHEET | DIMENSION | APPROVALS | DATE |
| 1 OF 2 | MM | APPROVED: | |
| DWG NO. | REV. | CHECKED: | |
| TLZGG2K | A0 | CHECKED: | |
| | | DRAWN: | pengsen 26/02/2020 |

TITLE: 固定式插座/Fixed socket
 PART NO. TLZGG 2K 308 CLL
 REV. *

