

ECN	REV	DESCRIPTION	DATE	APPROVED
-----	-----	-------------	------	----------

1) OK系列推拉自锁连接器简介

OK series connectors provide the following main features:

- security of the Push-Pull latching system -multipole types 2 to 9 contacts
- solder, crimp or print(straight or elbow)contacts -high packing density for space savings
- multiple key options to avoid cross mating -keying system (<<G>>key standard)for connector alignment
- 360° screening for full EMC shielding
- rugged housing for extreme working conditions -watertight connection(IP67/IP66)

2) 技术特性/Technical Characteristics

使用环境/Environment: 室外/outdoor
 温度等级/Rated Temperature: -25°, +150°
 寿命/Durability: >500 mate/unmate cycles
 盐雾/Corrosion Resistance: Salt spray test>144h
 防水等级/Protection index: IP67/IP66

Note: IP67 achieved providing that the cable is perfectly circular and that assembly process ensures a high integrity seal.

3) 编码原则/Part Number

固定式插座/Fixed socket TLZGG OK 307 C L L



4) 编码说明/Part number example

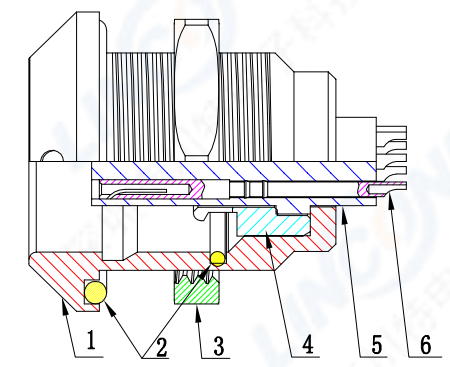
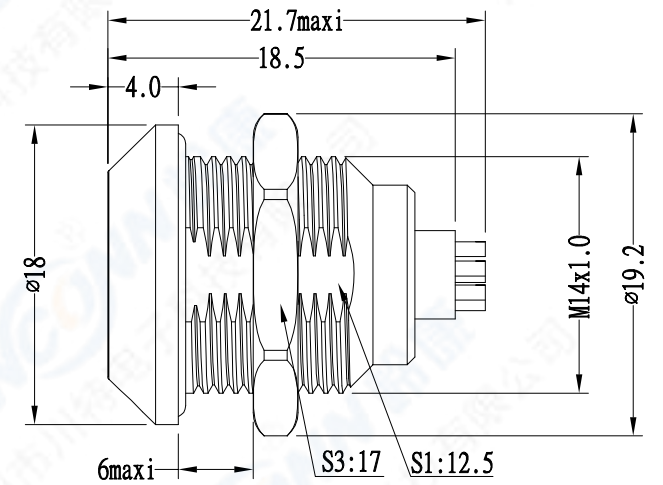
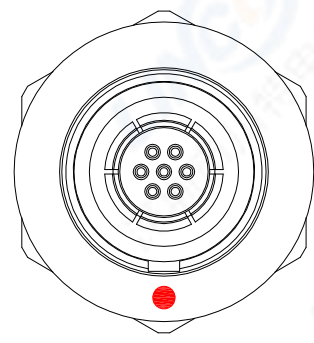
定位销/Key System (I)

KEY LAYOUT	键位/Key Type	G	A	B	C	D	E	F	L
	键位/Key	1	2	2	2	2	2	2	2
	外壳型号/Type	TLZGG	TLZGA	TLZGB	TLZGC	TLZGD	TLZGE	TLZGF	TLZGL
	角度/Angle	0°	30°	45°	60°	95°	120°	145°	75°
		/	α			γ	β		γ

针数/Pin Number (II)

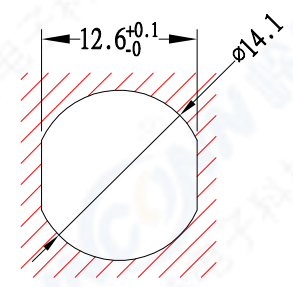
系列/Series	250	302	303	304	305	306	307	309
孔位排列/Pin Number								
接觸體直徑/Pin size	0.9mm	0.9mm	0.9mm	0.7mm	0.7mm	0.5mm	0.5mm	0.5mm
適配線纜/Conductor size	22AWG	20AWG	20AWG	22AWG	22AWG	28AWG	28AWG	28AWG
額定電流/Rated current	/	10A	8A	7A	6.5A	2.5A	2.5A	2A

*同轴阻抗/coax impedance: 50 ohms



6	母针芯/Pin: 磷铜镀金/Phosphor copper, Gold plated
5	绝缘体/Insulator: PPS
4	接地环/Earthing crown: 黄铜镀镍/Brass, Nickel plated
3	六角螺母/Hexagonal nut: 黄铜镀镍/Brass, Nickel plated
2	密封圈/O-RING: 橡胶/Rubber
1	外壳/Outer Shell: 黄铜镀铬/Brass, Chrome plated
序号 ITEM	名称 & 规格/Name & DESCRIPTION

5) 面板開孔尺寸/Hole Size



	SCALE	TOLERANCES ARE: DECIMALES ANGLES x± ± · x± ±	
	F		
SHEET	DIMENSION	APPROVALS	DATE
1 OF 1	MM	APPROVED:	
DWG NO.	REV.	CHECKED:	
TLZGGOK	A0	CHECKED:	
		DRAWN: pengsen	26/02/2020

TITLE: 固定式插座/Fixed socket	
PART NO. TLZGG OK 307 CLL	REV. *
Linnconn Elec Tech Co., LTD	