

ECN	REV	DESCRIPTION	DATE	APPROVED

### 1) 1B系列推拉自锁连接器简介

1B series connectors provide the following main features:

- security of the Push-Pull self-latching system -multipole types 2 to 16 contacts
- solder, crimp or print contacts (straight or elbow) -high packing density for space savings
- multiple key options to avoid cross mating -keying system (<math>\langle G \rangle</math>key standard) of similar connectors for connector alignment
- 360°screening for full EMC shielding.

### 2) 技术特性/Technical Characteristics

使用环境/Environment: 室内/Indoor

接口密封/Ingress protection: IP50

温度等级/Rated Temperature: -25° ,+150°

寿命/Durability: >500 mate/unmate cycles

盐雾/Corrosion Resistance: Salt spray test>144h

### 3) 编码原则/Part Number

插头/Plug	TLTGG	1B	304	C	L	A	D52	Z
主型号/Key System(I)								
针数/Pin Number(II)								
外壳/Outer Shell								
								护套/Bend relief 线夹/Collect(III) 焊接式/Sold Type 绝缘体/PPS Insulator

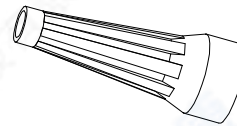
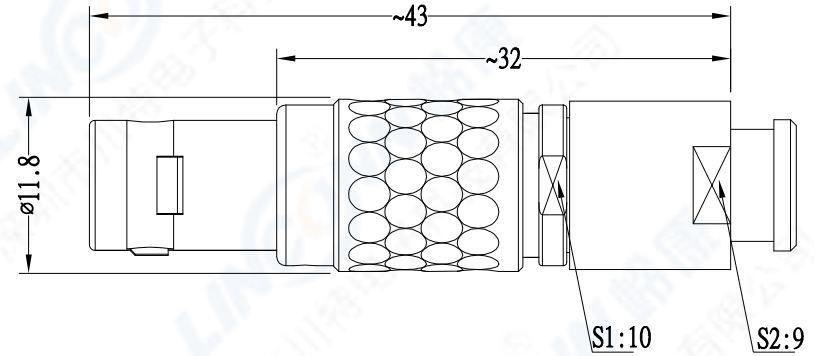
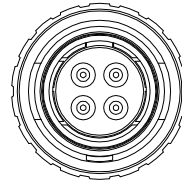
### 4) 编码说明/Part number example

定位销/Key System (I)

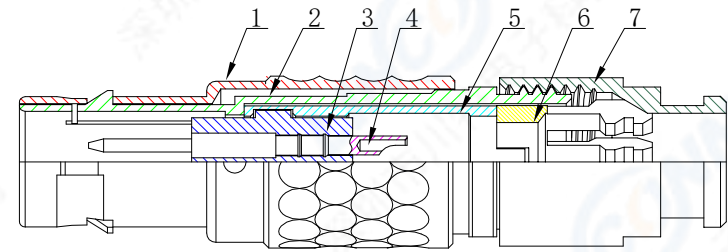
KEY LAYOUT	键位/Key Type	G	A	B	C	D	E	F	J	K	L
	键位/Key	1	2	2	2	2	2	2	2	2	2
	外壳型号/Type	TLTGG	TLTGA	TLTGB	TLTGC	TLTGD	TLTGE	TLTGF	TLTGJ	TLTGK	TLTGL
	角度/Angle	0°	30°	60°	90°	135°	145°	155°	45°	70°	80°
		/		α			β			γ	

针数/Pin Number(II)

系列/Series	302	303	304	305	306	307	308	310	314	316
孔位排列/Pin Number										
导体直径/Pin size	1.3mm	1.3mm	0.9mm	0.9mm	0.7mm	0.7mm	0.7mm	0.5mm	0.5mm	0.5mm
适配线缆/Conductor size	20AWG	20AWG	22AWG	22AWG	22AWG	22AWG	22AWG	28AWG	28AWG	28AWG
额定电流/Rated current	15A	12A	10A	9A	7A	7A	5A	2.5A	2.0A	1.5A



护套/Bend relief  
SCALE 1:2



线夹护套/Collect(III)

线夹代号/code	32	42	52	62	72
线径/Cable OD	2.5-3.0	3.1-4.0	4.1-5.0	5.1-6.0	6.1-7.0
线夹/Collect Size	3.2mm	4.2mm	5.2mm	6.2mm	7.2mm

7	尾螺帽/Collect Nut: 黄铜镀铬/Brass, Chrome plated
6	线夹/Collect: 黄铜镀镍/Brass, Nickel plated
5	固定片/Insulator Carrier: 黄铜镀镍/Brass, Nickel plated
4	公针芯/Pin: 黄铜镀金/Brass, Gold plated
3	绝缘体/Insulator: PPS
2	锁定套筒/Latch Sleeve: 黄铜镀镍/Copper, Nickel plated
1	外壳/Outer Shell: 黄铜镀铬/Brass, Chrome plated
序号 ITEM	名称 & 规格/Name & DESCRIPTION

SHEET	SCALE		TOLERANCES ARE:		DATE
	F		DECIMALES	ANGLES	
1 OF 1	MM		$\begin{matrix} x \pm \\ \cdot x \pm \end{matrix}$	$\begin{matrix} \pm \\ \pm \end{matrix}$	
DWG NO.	REV.		APPROVALS		
TLTGG1B	A0		APPROVED:		
			CHECKED:		
			CHECKED:		
			DRAWN: pengsen		26/02/2020

TITLE:	插头/Plug	
PART NO.	TLTGG 1B 304 CLADZ	REV. *
Linconn Elec Tech Co., LTD		