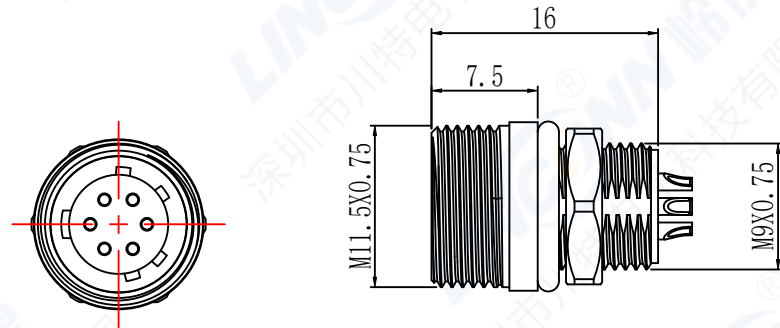
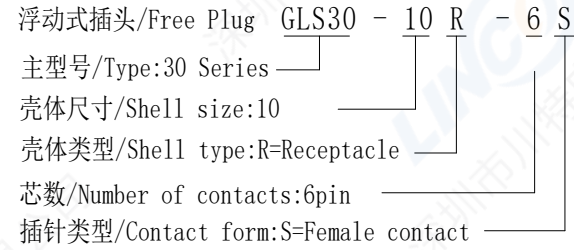


ECN	REV	DESCRIPTION	DATE	APPROVED

### 1. 芯数/NO. of contacts

芯数/NO. of pins	4	6	7
孔位排列/Pin Number			
适配线缆/Conductor size max.	22AWG	22AWG	22AWG
额定电流/Rated current	1A	1A	1A
额定电压/Rated voltage	100V AC	100V AC	100V AC

### 2. 编码原则/Part Number



### 3. 技术特性/Technical Characteristics

- 寿命/Durability: >500 mate/unmate cycles
- Pin接触电阻/ Pin Contact Resistance: ≤10 mΩ
- 绝缘电阻/Insulation Resistance: ≥ 100 MΩ
- 温度等级/Rated Temperature: -25° C, +80° C

5	密封圈/O-RING:Rubber
4	六角螺母/Hexagonal nut: 黄铜镀镍/Brass,Nickel plated
3	母针芯/PIN: 铜合金镀金/Brass,G/F
2	绝缘体/Insulator:PA66+GF
1	外壳/Shell:黄铜镀镍/Brass Nickel Plated
序号ITEM	名称 & 规格/Name & Description

SHEET	DIMENSION	TOLERANCES ARE:		TITLE:
		DECIMALES	ANGLES	
1 OF 1	MM	$\begin{matrix} X \pm 1 \\ \cdot X \pm 0.5 \end{matrix}$	$\pm$	Receptacle(Solder type)
DWG NO.	REV.	APPROVALS	DATE	PART NO. GLS30-10R-xS
GLS30	A0	APPROVED:		REV. *
		CHECKED:		
		CHECKED:		
		DRAWN: pengsen	08/12/2022	

